

MILKING

SYSTEMS EQUIPMENTS



www.milkmach.com



Produced by Enderun Milking Systems



&



bir ENDERUN Markasıdır.
are Copyrighted Brands of Enderun



Founded in 2010 at BURSA/TURKEY NOSAB Industrial Zone, and started to operate Milking Machines, Dairy Technologies and Farming Equipments, (TMR, Silage Harvester, etc.) under the name of Enderun Sagim Sistemleri ve Tarim Makinalari Ltd.Sti..

Enderun Milking Systems, has established the dealership network in all Turkish Cities and the countries around the World, and continues the Milking Machines and Farm Machines & Equipments production. Our company continues production with the aim of supplying better and innovative products without

compromising in quality and by gaining confidence of Farmers and Dealers in Turkey and World.

As Enderun, we continue to work in a more determined and reliable way to understand the needs and expectations of our customers, to provide quality products and services to our customers, to remain the most reliable supplier of our customers.

Our range of products expand day by day as we add new products with the assist of our R&D works, since the establishment of our Company

Since our establishment, our product and sector range has been renewed by adding new products to our product variety, supported by our R&D studies.

Our company, which does not compromise on quality with its CE and TSE certificates on the machines it manufactures, offers 2 years product warranty for all machinery and spare parts.

We have difference in the World market with our Economic and Quality Machinery & Spare Parts

We realize our production by full compliance of technological innovations, qualified personnel and modern machines.

We offer Milking Machines, TMRs, Farm Equipments that we are producing with the names of our patented brands ENDERUN, MILKMACH and UMay according to customer demands.

Our company has been growing with each passing day, Rubber, Silicone and Plastic Spare Parts and other parts of the machines it manufactures, with its own molds made in CNC Machines, again in the company Rubber Press, Plastic Blowing Machine, Plastic Injection Machine and Hose Extrusion Machine, offers to the customers with food-Grade raw materials.

The company is able to make/remake and produce any kind of molds of special plastic, rubber and silicone materials which are demand of the customer.

Firmamız, 2010 yılında Bursa/Türkiye NOSAB Sanayi Bölgesi'nde, Süt Sağım Makinaları, Sağım Teknolojileri ve Çiftlik Ekipmanları (Yem Karma, Silaj Kırım, v.b.) sektörlerinde, Enderun Sagim Sistemleri ve Tarim Makinalari Ltd.Sti. adı altında, faaliyet göstermeye başlamıştır.

Enderun Sağım Sistemleri, Türkiye' nin ve dünyanın dört bir yanında, süt sağım ve ekipmanları adına bayilik ağı oluşturmuş olup, üretimine devam etmektedir.

Firmamız, kaliteden taviz vermeden, üretim yapma prensibiyle , Türk ve Dünya çiftçisinin güvenini alarak, hep daha iyisini ve daha yenisini üretmeyi hedefleyerek, çalışmalarını sürdürmektedir.

Enderun olarak, müşterilerimizin ihtiyaç ve beklentilerini anlamak, müşterilerimize kaliteli ürün ve hizmetler sunmak, müşterilerimizin en güvenilir tedarikçisi olarak kalmak için, daha azimli ve güvenli bir şekilde, çalışmalarına devam etmektedir.

Kuruluşumuzdan bu yana, ürün ve sektör yelpazemiz, ARGE çalışmalarımız ile desteklenerek, ürün çeşitliliğimize yeni ürünleri ekleyerek yenilenmektedir.

Üretmekte olduğu makinalarda sahip olduğu CE ve TSE belgeleri ile, kaliteden taviz vermeyen kuruluşumuz, tüm makine ve yedek parçaları için 2 yıl ürün garantisi sunmaktadır.

Ekonomik ve Kaliteli makine ve yedek parça üretimi ile Dünya pazarında farkını ortaya koymaktadır.

Teknoloji konusunda yenilikleri titizlikle takip eden ve bugün son derece modern tezgâhlar ve kalifiyeli elemanlarla üretimimizi gerçekleştirmekteyiz.

Üretimlerini yapmakta olduğumuz Süt Sağım Makineleri, Yem Karma Makineleri ve Çiftlik Ekipmanları' nı, patentli markalarımız olan ENDERUN, MILKMACH and UMay isimleri ile müşteri talepleri doğrultusunda satışa sunmaktayız.

Her geçen gün büyüyen firmamız, üretmekte olduğu makinaların Kauçuk, Silikon ve Plastik Yedek Parça ve diğer aksamalarını, CNC tezgahlarında yapmış olduğu kendi kalıpları ile, yine firma bünyesinde yer alan Kauçuk Pres, Plastik Şişirme Makinası, Plastik Enjeksiyon Makinası ve Hortum Çekme Makinası'nda, gıdaya uyumlu hammaddeler ile tüketicisine sunmaktadır.

Firmanın, kendi alt yapısı hazır olması münasebeti ile, müşteri talebi olan özel plastik, kauçuk ve silikon malzemelerinin kalıplarını yapabilmekte ve üretebilmektedir.



bir ENDERUN Markasıdır.
are Copyrighted Brands of Enderun


END-S2AK
**Double Milking for Cows & Buffalos
 Çift Sağım Ünitesi (Büyükbaş)**

| | |
|------------------|--|
| Chassis Şase | Electrostatic Paint Elektrostatik Boya |
| Bucket Güğüm | 40 Lt Aluminum 40 Lt Alüminyum |
| Claw Pençe | 160 cc 160 cc |
| Liner Memelik | Rubber Kauçuk |
| Engine Motor | 0.55 kW - 220 V - 1500 r.p.m 0.55 kW - 220 V - 1500 d / d |
| Pump Pompa | Dry or Oily - 240 Lt / min 70mm Kuru yada Yağlı - 240 Lt / d 70mm |


Description

S2AK / Trolley Type Milking Machine
 200lt/min Dry Air Vacuum Capacity at 50kPa (37,5 cm/Hg), Stainless Shells with Food Grade Rubber Liners, 60/40 ratio 2 pcs Pulsators, 0,55 kW, 1.500rpm, 220V 50hZ Electricity Motor, 2 pcs 160cc Cow Milking Claws, 1 pc 40lt Aluminum Milk Bucket, Painted Tank

Optional :

Tank: Galvanized
 Bucket: Stainless Steel
 Voltage: 110V - 60hZ / 220 V - 60hZ
 Liner: Silicone or Short Type Rubber
 Teatcup Shell: Plastic
 Power Unit: Gasoline Engine
 Vacuum Type: Turbo Oil System /
 Outside Lubricated Oil System
 Chassis: Galvanized


**Double Milking for Cows & Buffalos
 Çift Sağım Ünitesi (Büyükbaş)**

| | |
|------------------|--|
| Chassis Şase | Electrostatic Paint Elektrostatik Boya |
| Bucket Güğüm | 40 Lt Stainless Steel 40 Lt Paslanmaz |
| Claw Pençe | 160 cc 160 cc |
| Liner Memelik | Rubber Kauçuk |
| Engine Motor | 0.55 kW - 220 V - 1500 r.p.m 0.55 kW - 220 V - 1500 d / d |
| Pump Pompa | Dry or Oily - 240 Lt / min 70mm Kuru yada Yağlı - 240 Lt / d 70mm |


END-S2SK
Description

S2SK / Trolley Type Milking Machine
 200lt/min Dry Air Vacuum Capacity at 50kPa (37,5 cm/Hg), Stainless Shells with Food Grade Rubber Liners, 60/40 ratio 2 pcs Pulsators, 0,55 kW, 1.500rpm, 220V 50hZ Electricity Motor, 2 pcs 160cc Cow Milking Claws, 1 pc 40lt Stainless Steel Milk Bucket, Painted Tank

Optional :

Tank: Galvanized
 Bucket: Aluminum
 Voltage: 110V - 60hZ / 220 V - 60hZ
 Liner: Silicone or Short Type Rubber
 Teatcup Shell: Plastic
 Power Unit: Gasoline Engine
 Vacuum Type: Turbo Oil System /
 Outside Lubricated Oil System
 Chassis: Galvanized

Single Milking for Cows & Buffalo
Tekli Sağıım Ünitesi (Büyükbaş)



| | |
|------------------|--|
| Chassis Şase | Electrostatic Paint Elektrostatik Boya |
| Bucket Güğüüm | 30 Lt Aluminum 30 Lt Alüminyum |
| Claw Pençe | 160 cc 160 cc |
| Liner Memelik | Rubber Kauçuk |
| Engine Motor | 0.55 kW - 220 V - 1500 r.p.m 0.55 kW - 220 V - 1500 d / d |
| Pump Pompa | Dry or Oily - 240 Lt / min 70mm Kuru yada Yağlı - 240 Lt / d 70mm |



END-S1AK

Description

S1AK / Trolley Type Milking Machine
200lt/min Dry Air Vacuum Capacity at 50kPa (37,5 cm/Hg), Stainless Shells with Food Grade Rubber Liners, 60/40 ratio 1 pc Pulsator, 0,55 kW, 1.500rpm, 220V 50hZ Electricity Motor, 1 pc 160cc Cow Milking Claw, 1 pc 30lt Aluminum Milk Bucket, Painted Tank

Optional :

Tank: Galvanized
Bucket: Stainless Steel
Voltage: 110V - 60hZ / 220 V - 60hZ
Liner: Silicone or Short Type Rubber
Teatcup Shell: Plastic
Power Unit: Gasoline Engine
Vacuum Type: Turbo Oil System / Outside Lubricated Oil System
Chassis: Galvanized



END-S1SK

Single Milking for Cows & Buffalos
Tekli Sağıım Ünitesi (Büyükbaş)



| | |
|----------------------|--|
| Chassis Şase | Electrostatic Paint Elektrostatik Boya |
| Bucket Güğüüm | 30 Lt Stainless Steel (304) 30 Lt Paslanmaz (304) |
| Claw Pençe | 240 cc 240 cc |
| Pulsator Pulsatör | 60/40 60/40 |
| Liner Memelik | Rubber Kauçuk |
| Engine Motor | 0.55 kW - 220 V - 1500 r.p.m 0.55 kW - 220 V - 1500 d / d |
| Pump Pompa | Dry or Oily - 200 Lt / min 70mm Kuru yada Yağlı - 200 Lt / d 70mm |

Description

S1SK / Trolley Type Milking Machine
200lt/min Dry Air Vacuum Capacity at 50kPa (37,5 cm/Hg), Stainless Shells with Food Grade Rubber Liners, 60/40 ratio 1 pc Pulsator, 0,55 kW, 1.500rpm, 220V 50hZ Electricity Motor, 1 pc 160cc Cow Milking Claw, 1 pc 30lt Stainless Steel Milk Bucket, Painted Tank

Optional :

Tank: Galvanized
Bucket: Aluminum
Voltage: 110V - 60hZ / 220 V - 60hZ
Liner: Silicone or Short Type Rubber
Teatcup Shell: Plastic
Power Unit: Gasoline Engine
Vacuum Type: Turbo Oil System / Outside Lubricated Oil System
Chassis: Galvanized


END-G2AK
**Double Milking for Cows & Buffalos
 Çift Sağıım Ünitesi (Büyükbaş)**


| | |
|------------------|--|
| Chassis Şase | Galvanized Galvaniz |
| Bucket Güğüüm | 40 Lt Aluminum 40 Lt Alüminyum |
| Claw Peçe | 160 cc 160 cc |
| Liner Memelik | Rubber Kauçuk |
| Engine Motor | 0.55 kW - 220 V - 1500 r.p.m 0.55 kW - 220 V - 1500 d / d |
| Pump Pompa | Dry or Oily - 240 Lt / min 70mm Kuru yada Yağlı - 240 Lt / d 70mm |

Description

G2AK / Trolley Type Milking Machine
 200lt/min Dry Air Vacuum Capacity at 50kPa (37,5 cm/Hg), Stainless Shells with Food Grade Rubber Liners, 60/40 ratio 2 pcs Pulsators, 0,55 kW, 1.500rpm, 220V 50hZ Electricity Motor, 2 pcs 160cc Cow Milking Claws, 1 pc 40lt Aluminum Milk Bucket, Galvanized Tank

Optional :

Tank: Painted Vacuum Tank
 Bucket: Stainless Steel
 Voltage: 110V - 60hZ / 220 V - 60hZ
 Liner: Silicone or Short Type Rubber
 Teatcup Shell: Plastic
 Power Unit: Gasoline Engine
 Vacuum Type: Turbo Oil System /
 Outside Lubricated Oil System
 Chassis: Electrostatic Paint


**Double Milking for Cows & Buffalos
 Çift Sağıım Ünitesi (Büyükbaş)**


| | |
|------------------|--|
| Chassis Şase | Galvanized Galvaniz |
| Bucket Güğüüm | 40 Lt Stainless Steel 40 Lt Paslanmaz |
| Claw Peçe | 160 cc 160 cc |
| Liner Memelik | Rubber Kauçuk |
| Engine Motor | 0.55 kW - 220 V - 1500 r.p.m 0.55 kW - 220 V - 1500 d / d |
| Pump Pompa | Dry or Oily - 240 Lt / min 70mm Kuru yada Yağlı - 240 Lt / d 70mm |


END-G2SK
Description

G2SK / Trolley Type Milking Machine
 200lt/min Dry Air Vacuum Capacity at 50kPa (37,5 cm/Hg), Stainless Shells with Food Grade Rubber Liners, 60/40 ratio 2 pcs Pulsators, 0,55 kW, 1.500rpm, 220V 50hZ Electricity Motor, 2 pcs 160cc Cow Milking Claws, 1 pc 40lt Stainless Steel Milk Bucket, Galvanized Tank

Optional :

Tank: Painted Vacuum Tank
 Bucket: Aluminum
 Voltage: 110V - 60hZ / 220 V - 60hZ
 Liner: Silicone or Short Type Rubber
 Teatcup Shell: Plastic
 Power Unit: Gasoline Engine
 Vacuum Type: Turbo Oil System /
 Outside Lubricated Oil System
 Chassis: Electrostatic Paint

Description

Fixed Eco Milking for Cows & Buffalos
Sabit Eko Sağım Ünitesi (Büyükbaş)



| | |
|------------------|--|
| Chassis Şase | Electrostatic Paint Elektrostatik Boya |
| Bucket Güçüm | 30 Lt Aluminum 30 Lt Alüminyum |
| Claw Peçe | 160 cc 160 cc |
| Liner Memelik | Rubber Kauçuk |
| Engine Motor | 0.55 kW - 220 V - 1500 r.p.m 0.55 kW - 220 V - 1500 d / d |
| Pump Pompa | Dry - 240 Lt / min 70mm Kuru - 240 Lt / d 70mm |

SR1AK / Tankless Mini Eco Milking Machine

200lt/min Dry Air Vacuum Capacity at 50kPa (37,5 cm/Hg), Stainless Shells with Food Grade Rubber Liners, 60/40 ratio 1 pc Milkmach Pulsator, 0.55 kW, 1.500rpm, 220V 50hZ Electricity Motor, 1 pc 160cc Cow Milking Claw, 1 pc 30lt Aluminum Milk Bucket

Optional :

Tank: Galvanized Vacuum Tank
Bucket: Stainless Steel
Voltage: 110V - 60hZ / 220 V - 60hZ
Claw: 240cc
Liner: Silicone or Short Type Rubber
Teatcup Shell: Plastic
Power Unit: Gasoline Engine
Vacuum Type: Turbo Oil System / Outside Lubricated Oil System
Chassis: Galvanized

ECO MODEL



END-SR1AK

Description

G1SK / Trolley Type Milking Machine
200lt/min Dry Air Vacuum Capacity at 50kPa (37,5 cm/Hg), Stainless Shells with Food Grade Rubber Liners, 60/40 ratio 1 pc Pulsator, 0,55 kW, 1.500rpm, 220V 50hZ Electricity Motor, 1 pc 160cc Cow Milking Claw, 1 pc 30lt Stainless Steel Milk Bucket, Galvanized Tank

Optional :

Tank: Painted Vacuum Tank
Bucket: Aluminum
Voltage: 110V - 60hZ / 220 V - 60hZ
Liner: Silicone or Short Type Rubber
Teatcup Shell: Plastic
Power Unit: Gasoline Engine
Vacuum Type: Turbo Oil System / Outside Lubricated Oil System
Chassis: Electrostatic Paint

Single Milking for Cows & Buffalos
Tekli Sağım Ünitesi (Büyükbaş)



| | |
|------------------|--|
| Chassis Şase | Galvanized Galvaniz |
| Bucket Güçüm | 30 Lt Stainless Steel 30 Lt Paslanmaz |
| Claw Peçe | 160 cc 160 cc |
| Liner Memelik | Rubber Kauçuk |
| Engine Motor | 0.55 kW - 220 V - 1500 r.p.m 0.55 kW - 220 V - 1500 d / d |
| Pump Pompa | Dry or Oily - 240 Lt / min 70mm Kuru yada Yağlı - 240 Lt / d 70mm |



END-G1SK


END-GS1AK
**Fixed Type Milking for Cows & Buffalos
 Sabit Sağım Ünitesi (Büyükbaş)**


| | |
|--------------------------|--|
| Chassis Şase | Galvanized Galvaniz |
| Bucket Güğüm | 30 Lt Aluminum 30 Lt Alüminyum |
| Claw Pençe | 160 cc 160 cc |
| Liner Memelik | Rubber Kauçuk |
| Engine Motor | 0.55 kW - 220 V - 1500 r.p.m 0.55 kW - 220 V - 1500 d / d |
| Pump Pompa | Dry or Oily - 240 Lt / min 70mm Kuru yada Yağlı - 240 Lt / d 70mm |

Description

GS1AK / Fixed Type Milking Machine
 200lt/min Dry Air Vacuum Capacity at 50kPa (37,5 cm/Hg), Stainless Shells with Food Grade Rubber Liners, 60/40 ratio 1 pc Pulsator, 0,55 kW, 1.500rpm, 220V 50hZ Electricity Motor, 1 pc 160cc Cow Milking Claw, 1 pc 30lt Aluminum Milk Bucket, Galvanized Tank

Optional :

Tank: Painted Vacuum Tank
 Bucket: Stainless Steel
 Voltage: 110V - 60hZ / 220 V - 60hZ
 Liner: Silicone or Short Type Rubber
 Teatcup Shell: Plastic
 Power Unit: Gasoline Engine
 Vacuum Type: Turbo Oil System /
 Outside Lubricated Oil System
 Chassis: Electrostatic Paint


**Fixed Type Milking for Cows & Buffalos
 Sabit Sağım Ünitesi (Büyükbaş)**


| | |
|--------------------------|--|
| Chassis Şase | Galvanized Galvaniz |
| Bucket Güğüm | 30 Lt Stainless Steel 30 Lt Paslanmaz |
| Claw Pençe | 160 cc 160 cc |
| Liner Memelik | Rubber Kauçuk |
| Engine Motor | 0.55 kW - 220 V - 1500 r.p.m 0.55 kW - 220 V - 1500 d / d |
| Pump Pompa | Dry or Oily - 240 Lt / min 70mm Kuru yada Yağlı - 240 Lt / d 70mm |


END-GS1SK
Description

GS1SK / Fixed Type Milking Machine
 200lt/min Dry Air Vacuum Capacity at 50kPa (37,5 cm/Hg), Stainless Shells with Food Grade Rubber Liners, 60/40 ratio 1 pc Pulsator, 0,55 kW, 1.500rpm, 220V 50hZ Electricity Motor, 1 pc 160cc Cow Milking Claw, 1 pc 30lt Stainless Steel Milk Bucket, Galvanized Tank

Optional :

Tank: Painted Vacuum Tank
 Bucket: Aluminum
 Voltage: 110V - 60hZ / 220 V - 60hZ
 Liner: Silicone or Short Type Rubber
 Teatcup Shell: Plastic
 Power Unit: Gasoline Engine
 Vacuum Type: Turbo Oil System /
 Outside Lubricated Oil System
 Chassis: Electrostatic Paint

Description

Fixed Type Milking for Cows & Buffalos
Sabit Sağım Ünitesi (Büyükbaş)



| | |
|------------------|--|
| Chassis Şase | Galvanized Galvaniz |
| Bucket Güğü | 30 Lt Stainless Steel 30 Lt Paslanmaz |
| Claw Pençe | 240 cc 240 cc |
| Liner Memelik | Rubber Kauçuk |
| Engine Motor | 0.55 kW - 220 V - 1500 r.p.m 0.55 kW - 220 V - 1500 d / d |
| Pump Pompa | Dry or Oily - 240 Lt / min 70mm Kuru yada Yağlı - 240 Lt / d 70mm |



END-SS1YAK

SS1YAK / Fixed Type Milking Machine
200lt/min Dry Air Vacuum Capacity at 50kPa (37,5 cm/Hg), PP Shells with Food Grade Rubber Liners, 60/40 ratio 1 pc Pulsator, 0,55 kW, 1.500rpm, 220V 50hZ Electricity Motor, 1 pc 240cc Cow Milking Claw, 1 pc 30lt Aluminum Milk Bucket, Galvanized Tank

Optional :

Tank: Painted Vacuum Tank
Bucket: Stainless Steel
Voltage: 110V - 60hZ / 220 V - 60hZ
Liner: Silicone or Short Type Rubber
Teatcup Shell: Stainless Steel
Power Unit: Gasoline Engine
Vacuum Type: Turbo Oil System / Outside Lubricated Oil System
Chassis: Galvanized

Description

Fixed Type Milking for Cows & Buffalos
Sabit Sağım Ünitesi (Büyükbaş)



| | |
|------------------|--|
| Chassis Şase | Galvanized Galvaniz |
| Bucket Güğü | 30 Lt Stainless Steel 30 Lt Paslanmaz |
| Claw Pençe | 240 cc 240 cc |
| Liner Memelik | Rubber Kauçuk |
| Engine Motor | 0.55 kW - 220 V - 1500 r.p.m 0.55 kW - 220 V - 1500 d / d |
| Pump Pompa | Dry or Oily - 240 Lt / min 70mm Kuru yada Yağlı - 240 Lt / d 70mm |



END-GS1YSK

GS1YSK / Fixed Type Milking Machine
200lt/min Dry Air Vacuum Capacity at 50kPa (37,5 cm/Hg), PP Shells with Food Grade Rubber Liners, 60/40 ratio 1 pc Pulsator, 0,55 kW, 1.500rpm, 220V 50hZ Electricity Motor, 1 pc 240cc Cow Milking Claw, 1 pc 30lt Stainless Steel Milk Bucket, Galvanized Tank

Optional :

Tank: Painted Vacuum Tank
Bucket: Aluminum
Voltage: 110V - 60hZ / 220 V - 60hZ
Liner: Silicone or Short Type Rubber
Teatcup Shell: Stainless Steel
Power Unit: Gasoline Engine
Vacuum Type: Turbo Oil System / Outside Lubricated Oil System
Chassis: Electrostatic Paint


END-G2-AK2-1
**Double Milking for Cows & Buffalos
 Çiftli Sağım Ünitesi (Büyükbaş)**


| | |
|-----------------------------|--|
| Chassis Şase | Galvanized Galvaniz |
| Buckets Güğümler | 30 Lt Aluminum 30 Lt Alüminyum |
| Claw Pençe | 160 cc 160 cc |
| Liner Memelik | Rubber Kauçuk |
| Engine Motor | 0.55 kW - 220 V - 1500 r.p.m 0.55 kW - 220 V - 1500 d / d |
| Pump Pompa | Dry or Oily - 240 Lt / min 70mm Kuru yada Yağlı - 240 Lt / d 70mm |

Description

G2AK2-1 / Trolley Type Milking Machine
 200lt/min Dry Air Vacuum Capacity at 50kPa (37,5 cm/Hg), Stainless Shells with Food Grade Rubber Liners, 60/40 ratio 2 pcs Pulsators, 0,55 kW, 1.500rpm, 220V 50hZ Electricity Motor, 2 pcs 160cc Cow Milking Claws, 2 pcs 30lt Aluminum Milk Buckets, Galvanized Tank

Optional :

Tank: Painted Vacuum Tank
Bucket: Stainless Steel
Voltage: 110V - 60hZ / 220 V - 60hZ
Liner: Silicone or Short Type Rubber
Teatcup Shell: Plastic
Power Unit: Gasoline Engine
Vacuum Type: Turbo Oil System / Outside Lubricated Oil System
Chassis: Electrostatic Paint


**Double Milking for Cows & Buffalos
 Çiftli Sağım Ünitesi (Büyükbaş)**


| | |
|-----------------------------|--|
| Chassis Şase | Galvanized Galvaniz |
| Buckets Güğümler | 30 Lt Stainless Steel 30 Lt Paslanmaz |
| Claw Pençe | 240 cc 240 cc |
| Liner Memelik | Rubber Kauçuk |
| Engine Motor | 0.55 kW - 220 V - 1500 r.p.m 0.55 kW - 220 V - 1500 d / d |
| Pump Pompa | Dry or Oily - 240 Lt / min 70mm Kuru yada Yağlı - 240 Lt / d 70mm |


END-G2SK2-1
Description

G2SK2-1 / Trolley Type Milking Machine
 200lt/min Dry Air Vacuum Capacity at 50kPa (37,5 cm/Hg), PP Shells with Food Grade Rubber Liners, 60/40 ratio 2 pcs Pulsators, 0,55 kW, 1.500rpm, 220V 50hZ Electricity Motor, 2 pcs 240cc Cow Milking Claws, 2 pcs 30lt Stainless Steel Milk Buckets, Galvanized Tank

Optional :

Tank: Painted Vacuum Tank
Bucket: Aluminum
Voltage: 110V - 60hZ / 220 V - 60hZ
Liner: Silicone or Short Type Rubber
Teatcup Shell: Stainless Steel
Power Unit: Gasoline Engine
Vacuum Type: Turbo Oil System / Outside Lubricated Oil System
Chassis: Electrostatic Paint

Single Milking for Goats & Sheeps
Tekli Sağım Ünitesi (Küçükbaş)



| | |
|-------------------------|--|
| Chassis Şase | Painted Boyalı |
| Bucket Güğü | 30 Lt Aluminum 30 Lt Alüminyum |
| Claw Peçe | Goat Milking Clusters with Pim Keçi Sağım Demeti Pimli |
| Liner Memelik | Silicone Silikon |
| Engine Motor | 0.55 kW - 220 V - 1500 r.p.m 0.55 kW - 220 V - 1500 d / d |
| Pump Pompa | Dry - 240 Lt / min 70mm Kuru - 240 Lt / d 70mm |



END-S1-AK-G

Description

S1AKG / Trolley Type Milking Machine
200lt/min Dry Air Vacuum Capacity at 50kPa (37,5 cm/Hg), Automatic Goat Cluster Set(2 Goats Milking), 50/50 ratio 1 pc Milkmach Pulsator, 0.55 kW, 1.500rpm, 220V 50hZ Electricity Motor, 1 pc 30lt Aluminum Milk Bucket, Painted Tank

Optional :

Tank: Galvanized Vacuum Tank
Bucket: Stainless Steel
Voltage: 110V - 60hZ / 220 V - 60hZ
Liner: Rubber
Power Unit: Gasoline Engine
Vacuum Type: Turbo Oil System / Outside Lubricated Oil System
Chassis: Galvanized



END-G1-SK-G

Single Milking for Goats & Sheeps
Tekli Sağım Ünitesi (Küçükbaş)



| | |
|-------------------------|--|
| Chassis Şase | Galvanized Galvaniz |
| Bucket Güğü | 30 Lt Stainless Steel 30 Lt Paslanmaz |
| Claw Peçe | Goat Milking Clusters with Pim Keçi Sağım Demeti Pimli |
| Liner Memelik | Silicone Silikon |
| Engine Motor | 0.55 kW - 220 V - 1500 r.p.m 0.55 kW - 220 V - 1500 d / d |
| Pump Pompa | Dry - 240 Lt / min 70mm Kuru - 240 Lt / d 70mm |

Description

G1SKG / Trolley Type Milking Machine
200lt/min Dry Air Vacuum Capacity at 50kPa (37,5 cm/Hg), Automatic Goat Cluster Set(2 Goats Milking), 50/50 ratio 1 pc Milkmach Pulsator, 0.55 kW, 1.500rpm, 220V 50hZ Electricity Motor, 1 pc 30lt Stainless Steel Milk Bucket, Galvanized Tank

Optional :

Tank: Painted Vacuum Tank
Bucket: Aluminum
Voltage: 110V - 60hZ / 220 V - 60hZ
Liner: Rubber
Power Unit: Gasoline Engine
Vacuum Type: Turbo Oil System / Outside Lubricated Oil System
Chassis: Electrostatic Paint

Description

ST1AK1 / Tankless Eco Milking Machine
 200lt/min Dry Air Vacuum Capacity at 50kPa (37,5 cm/Hg), Plastic Shells with Food Grade Rubber Liners, 60/40 ratio 1 pc Pulsator,0,55 kW, 1.500rpm, 220V 50hZ Electricity Motor, 1 pc 240cc Cow Milking Claw, 1 pc 20lt Aluminum Milk Bucket

Optional :

Tank: Galvanized Vacuum Tank
 Bucket: Stainless Steel
 Voltage: 110V - 60hZ / 220 V - 60hZ
 Claw: 160cc
 Liner: Silicone or Short Type Rubber
 Teatcup Shell: Stainless Steel
 Power Unit: Gasoline Engine
 Vacuum Type: Turbo Oil System / Outside Lubricated Oil System
 Chassis: Galvanized

 Single Eco Milking for Cows & Buffalos
 Tekli Eko Sađım Ünitesi (Büyükbaş)

| | |
|------------------|--|
| Chassis Şase | Electrostatic Paint Elektrostatik Boya |
| Bucket Güğü | 20 Lt Aluminum 20 Lt Alüminyum |
| Claw Pençe | 240 cc 240 cc |
| Liner Memelik | Rubber Kauçuk |
| Engine Motor | 0.55 kW - 220 V - 1500 r.p.m 0.55 kW - 220 V - 1500 d / d |
| Pump Pompa | Dry - 240 Lt / min 70mm Kuru - 240 Lt / d 70mm |



ECO MODEL



END-ST1AK-1

Description

ST1SK1 / Tankless Eco Milking Machine
 200lt/min Dry Air Vacuum Capacity at 50kPa (37,5 cm/Hg), Stainless Shells with Food Grade Rubber Liners, 60/40 ratio 1 pc Milkmach Pulsator, 0.55 kW, 1.500rpm, 220V 50hZ Electricity Motor, 1 pc 240cc Cow Milking Claw, 1 pc 20lt Stainless Steel Milk Bucket

Optional :

Tank: Galvanized Vacuum Tank
 Bucket: Aluminum
 Voltage: 110V - 60hZ / 220 V - 60hZ
 Claw: 160cc
 Liner: Silicone or Short Type Rubber
 Teatcup Shell: Plastic
 Power Unit: Gasoline Engine
 Vacuum Type: Turbo Oil System / Outside Lubricated Oil System
 Chassis: Galvanized

 Single Eco Milking for Cows & Buffalos
 Tekli Eko Sađım Ünitesi (Büyükbaş)

| | |
|------------------|--|
| Chassis Şase | Electrostatic Paint Elektrostatik Boya |
| Bucket Güğü | 20 Lt Stainless Steel 20 Lt Paslanmaz |
| Claw Pençe | 240 cc 240 cc |
| Liner Memelik | Rubber Kauçuk |
| Engine Motor | 0.55 kW - 220 V - 1500 r.p.m 0.55 kW - 220 V - 1500 d / d |
| Pump Pompa | 70mm Dry - 200 Lt / min 70mm Kuru - 200 Lt / d 70mm |



END-ST1SK-1

ECO MODEL

Description

ST2AK1 / Tankless Portable Milking Machine

200lt/min Dry Air Vacuum Capacity at 50kPa (37,5 cm/Hg), PP Shells with Food Grade Rubber Liners, 60/40 ratio 2 pcs Milkmach Pulsators, 0.55 kW, 1.500rpm, 220V 50hZ Electricity Motor, 2 pcs 160cc Cow Milking Claws, 1 pc 30lt Aluminum Milk Bucket

Optional :

Tank: Galvanized Vacuum Tank
Bucket: Stainless Steel
Voltage: 110V - 60hZ / 220 V - 60hZ
Claw: 240cc
Liner: Silicone or Short Type Rubber
Teatcup Shell: Stainless Steel
Power Unit: Gasoline Engine
Vacuum Type: Turbo Oil System / Outside Lubricated Oil System
Chassis: Galvanized



END-ST2-AK1



Description

ST2GK1 / Tankless Portable Milking Machine

200lt/min Dry Air Vacuum Capacity at 50kPa (37,5 cm/Hg), Stainless Shells with Food Grade Rubber Liners, 60/40 ratio 2 pcs Milkmach Pulsators, 0.55 kW, 1.500rpm, 220V 50hZ Electricity Motor, 2 pcs 240cc Cow Milking Claws, 1 pc 30lt Stainless Steel Milk Bucket

Optional :

Tank: Galvanized Vacuum Tank
Bucket: Aluminum
Voltage: 110V - 60hZ / 220 V - 60hZ
Claw: 160cc
Liner: Silicone or Short Type Rubber
Teatcup Shell: Plastic
Power Unit: Gasoline Engine
Vacuum Type: Turbo Oil System / Outside Lubricated Oil System
Chassis: Galvanized



END-ST2-GK1

Double Eco Milking for Cows & Buffalos
Çiftli Eko Sağım Ünitesi (Büyükbaş)



| | |
|------------------|--|
| Chassis Şase | Painted Boyalı |
| Bucket Güğü | 30 Lt Aluminum 30 Lt Alüminyum |
| Claw Pençe | 160 cc 160 cc |
| Liner Memelik | Rubber Kauçuk |
| Engine Motor | 0.55 kW - 220 V - 1500 r.p.m 0.55 kW - 220 V - 1500 d / d |
| Pump Pompa | Dry - 240 Lt / min 70mm Kuru - 240 Lt / d 70mm |

Double Eco Milking for Cows & Buffalos
Çiftli Eko Sağım Ünitesi (Büyükbaş)



| | |
|------------------|--|
| Chassis Şase | Electrostatic Paint Elektrostatik Boya |
| Bucket Güğü | 30 Lt Inox 30 Lt Paslanmaz |
| Claw Pençe | 240 cc 240 cc |
| Liner Memelik | Rubber Kauçuk |
| Engine Motor | 0.55 kW - 220 V - 1500 r.p.m 0.55 kW - 220 V - 1500 d / d |
| Pump Pompa | Dry - 240 Lt / min 70mm Kuru - 240 Lt / d 70mm |


END-G2AK-H

Hybrid Single Milking for Cows & Buffalos

Hibrit Tekli Sağıım Ünitesi (Büyükbaş)



| | |
|-------------------------------|---|
| Chassis Şase | Galvanized Galvaniz |
| Bucket Güğüüm | 40 Lt Aluminum 40 Lt Alüüminyum |
| Claw Pençe | 240 cc 240 cc |
| Liner Memelik | Rubber Kauçuk |
| Engine Motor | 0.55 kW - 220 V - 1500 r.p.m 0.55 kW - 220 V - 1500 d / d |
| Benzin Engine Benzin Motor | 6,5 hp, 3600 r.p.m, Air-cooled, 4-Stroke, Unleaded Gasoline |
| Pump Pompa | Dry or Oily - 240 Lt / min 70mm Kuru yada Yağılı - 240 Lt / d 70mm |

Description

G2AKH / Hybrid Portable Milking Machine

200lt/min Dry Air Vacuum Capacity at 50kPa (37,5 cm/Hg), PP Shells with Food Grade Rubber Liners, 60/40 ratio 2 pcs Milkmach Pulsators, 0.55 kW, 1.500rpm, 220V 50hZ Electricity Motor with 6.5hp Benzin Motor, 2 pcs 240cc Cow Milking Claws, 1 pc 40lt Aluminum Milk Bucket, Hot Deep Galvanized Tank

Hybrid Double Milking for Cows & Buffalos

Hibrit Çiftli Sağıım Ünitesi (Büyükbaş)



| | |
|-------------------------------|---|
| Chassis Şase | Galvanized Galvaniz |
| Bucket Güğüüm | 30 Lt Stainless Steel 30 Lt Paslanmaz |
| Claw Pençe | 240 cc 240 cc |
| Liner Memelik | Rubber Kauçuk |
| Engine Motor | 0.55 kW - 220 V - 1500 r.p.m 0.55 kW - 220 V - 1500 d / d |
| Benzin Engine Benzin Motor | 6,5 hp, 3600 r.p.m, Air-cooled, 4-Stroke, Unleaded Gasoline |
| Pump Pompa | Dry or Oily - 240 Lt / min 70mm Kuru yada Yağılı - 240 Lt / d 70mm |


END-G2YSK2-H

Description

G2YSK2H / Hybrid Portable Milking Machine

200lt/min Dry Air Vacuum Capacity at 50kPa (37,5 cm/Hg), PP Shells with Food Grade Rubber Liners, 60/40 ratio 2 pcs Milkmach Pulsators, 0.55 kW, 1.500rpm, 220V 50hZ Electricity Motor with 6.5hp Benzin Motor, 2 pcs 240cc Cow Milking Claws, 2 pcs 30lt Stainless Steel Milk Bucket, Hot Deep Galvanized Tank

Hybrid Double Milking for Cows & Buffalos
Hibrit Çiftli Sağım Ünitesi (Büyükbaş)



| | |
|-------------------------------|--|
| Chassis Şase | Painted Boyalı |
| Bucket Güğüm | 40 Lt Stainless Steel 40 Lt Paslanmaz |
| Claw Pençe | 160 cc 160 cc |
| Liner Memelik | Rubber Kauçuk |
| Engine Motor | 0.55 kW - 220 V - 1500 r.p.m 0.55 kW - 220 V - 1500 d / d |
| Benzin Engine Benzin Motor | 6.5 hp, 3600 r.p.m, Air-cooled, 4-Stroke, Unleaded Gasoline |
| Pump Pompa | Dry or Oily - 240 Lt / min 70mm Kuru yada Yağlı - 240 Lt / d 70mm |



END-S2SK-H

Description

S2SKH / Hybrid Portable Milking Machine
200lt/min Dry Air Vacuum Capacity at 50kPa (37,5 cm/Hg), Stainless Shells with Food Grade Rubber Liners, 60/40 ratio 2 pcs Milkmach Pulsators, 0.55 kW, 1.500rpm, 220V 50hZ Electricity Motor with 6.5hp Benzin Motor, 2 pcs 160cc Cow Milking Claws, 1 pc 40lt Stainless Steel Milk Bucket, Painted Tank



Hybrid Single Milking for Cows & Buffalos
Hibrit Tekli Sağım Ünitesi (Büyükbaş)

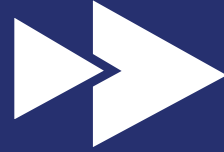


END-S1AK-H

| | |
|-------------------------------|--|
| Chassis Şase | Painted Boyalı |
| Bucket Güğüm | 30 Lt Stainless Steel 30 Lt Paslanmaz |
| Claw Pençe | 240 cc 240 cc |
| Liner Memelik | Rubber Kauçuk |
| Engine Motor | 0.55 kW - 220 V - 1500 r.p.m 0.55 kW - 220 V - 1500 d / d |
| Benzin Engine Benzin Motor | 6.5 hp, 3600 r.p.m, Air-cooled, 4-Stroke, Unleaded Gasoline |
| Pump Pompa | Dry or Oily - 240 Lt / min 70mm Kuru yada Yağlı - 240 Lt / d 70mm |

Description

S1AKH / Hybrid Portable Milking Machine
200lt/min Dry Air Vacuum Capacity at 50kPa (37,5 cm/Hg), Plastic Shells with Food Grade Rubber Liners, 60/40 ratio 1 pc Milkmach Pulsator, 0.55 kW, 1.500rpm, 220V 50hZ Electricity Motor with 6.5hp Benzin Motor, 1 pc 240cc Cow Milking Claw, 1 pc 30lt Aluminum Milk Bucket, Painted Tank



Milking Spare Parts Süt Sağıım Yedek Parçaları



MILKING EQUIPMENTS





Stainless Steel Bucket
without Lids
Paslanmaz Güğüm
Kapaksız

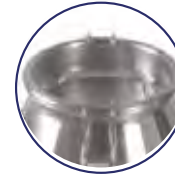
| | |
|-----------|-------|
| END340105 | 10 LT |
| END340106 | 20 LT |
| END340108 | 30 LT |
| END340109 | 40 LT |
| END340110 | 50 LT |



| CAPACITY | Base Ø (B) | Opening ø (A) | Height (H) | Weight |
|----------|------------|---------------|------------|--------|
| 10 LT | 250 mm | 180 mm | 330 mm | 2,5 kg |
| 20 LT | 300 mm | 180 mm | 420 mm | 3,5 kg |
| 25 LT | 300 mm | 180 mm | 495 mm | 3,8 kg |
| 30 LT | 300 mm | 180 mm | 590 mm | 4,1 kg |
| 40 LT | 340 mm | 180 mm | 590 mm | 5 kg |
| 50 LT | 340 mm | 180 mm | 680 mm | 6 kg |

Aluminum Bucket with Locked Lid
Kilitli Kapaklı Alüminyum Güğüm

| | | | | |
|-------------|-------------|-------------|-------------|-------------|
| END330105-1 | END330106-1 | END330107-1 | END330108-1 | END330109-1 |
| 10 lt | 20 lt | 30 lt | 40 lt | 50 lt |



• S/S Lid by Locking Clips
Kilitli Kapak



S/S Milk Bucket with Locked Lid
Paslanmaz Süt Güğümü Kilitli Kapaklı

| | | | | |
|-------------|-------------|-------------|-------------|-------------|
| END340105-1 | END340106-1 | END340108-1 | END340109-1 | END340110-1 |
| 10 lt | 20 lt | 30 lt | 40 lt | 50 lt |



Aluminum Bucket without Lid
Kapaksız Alüminyum Güğüm

| CAPACITY | Base Ø (B) | Opening ø (A) | Height (H) | Weight |
|----------|------------|---------------|------------|--------|
| 10 LT | 250 mm | 180 mm | 330 mm | 2 kg |
| 20 LT | 300 mm | 180 mm | 420 mm | 2,5 kg |
| 30 LT | 340 mm | 180 mm | 500 mm | 3,3 kg |
| 30 LT | 340 mm | 217 mm | 500 mm | 3,3 kg |
| 40 LT | 340 mm | 180 mm | 580 mm | 3,7 kg |
| 40 LT | 340 mm | 217 mm | 580 mm | 3,7 kg |
| 50 LT | 340 mm | 217 mm | 660 mm | 4,5 kg |

| | | | | |
|-----------|-----------|-----------|-----------|-----------|
| END330105 | END330106 | END330107 | END330108 | END330109 |
| 10 lt | 20 lt | 30 lt | 40 lt | 50 lt |

Plastic Bucket
without Lids
Plastik Güğüm
Kapaksız



| | |
|-----------|-------|
| END350106 | 20 LT |
| END350108 | 30 LT |



END610106

Pulsator with Stainless Steel Lid - 60/40 Ratio
Cows & Buffalos
Pulsatör Paslanmaz Kapaklı - 60/40 (İnek 60/40)



END610107

Pulsator with Stainless Steel Lid - 50/50 Ratio
Goats & Sheep
Pulsatör Paslanmaz Kapaklı (Keçi & Koyun) 50/50



END610108

Pulsator with Transparent Lid - 60/40 Ratio
Cows & Buffalos
Pulsatör Şeffaf Kapaklı (İnek 60/40)

END610109

Pulsator with Transparent Lid - 50/50 Ratio Goats
& Sheep
Pulsatör Şeffaf Kapaklı (Keçi & Koyun) 50/50



Pulsator Adapter Kit
Pulsatör Adaptör Seti
END8603696



Pulsator Adapter (Slide)
Pulsatör Adaptörü (Kızak)
END8603696-1



Pulsator Repair Kit
Pulsatör Tamir
END610103



Pulsator Big Diaphragm
Pulsatör Büyük Diyafram
END610103-2



Pulsator Small Diaphragm
Pulsatör Küçük Diyafram
END610103-1



O-Ring (2.57 X 1.78)
END610103-3



Pulsator with Red Lid - 60/40
Ratio Cows & Buffalos
Pulsatör Kırmızı Delikli Kapaklı
(İnek&Manda 60/40)

END610106-5



Pulsator with Blue Lid - 60/40
Ratio Cows & Buffalos
Pulsatör Mavi Delikli Kapaklı
(İnek&Manda 60/40)

END610106-7



Pulsator with Black Lid - 60/40
Ratio Cows & Buffalos
Pulsatör Siyah Delikli Kapaklı
(İnek&Manda 60/40)

END610106-9





160cc Oval Milking Claw (Complete) / 160cc Komple Oval Pençe

END140102



Milking Claw Transparent Lid Complete 160cc
Süt Pençesi Şeffaf Kapak Komple 160cc

END140102 -1



Bottom Body of Claw 160cc / 160cc Pençe Altı (Gövde)

END140102 -4



Shut Off Valve (Set) (With Pin)
Pençe Takozu (Takım) (Pimli)

END140102-3



Shut Off Valve (With Pin)
Pençe Takozu (Pimli)

END140102-4



Shut Off Valve Gasket
Pençe Kelebeği

END140102-5



Claw Valve Pin (S/S)
Pençe Mili (Paslanmaz)

END140104-2



Shut Off Rubber Plug
Pençe Takozu

END140104-4



Claw Gasket
Pençe Contası

END140104-3

Milking Claw Parts 160cc
Süt Pençesi Parçaları 160cc



Oval Milking Claw (Complete) 240cc
Komple Oval Pençe 240cc

END140105



Upper Body of Claw 240cc
Oval Pençe Üstü 240cc

END140105-4



Upper Body of Claw 240cc (with Gasket)
Oval Pençe Üstü (Contalı) 240cc

END140105-5



Shut Off Valve (Set) 240cc
Pençe Takozu Takım 240cc

END140105-6



Shut Off Valve Gasket 240cc
Pençe Kelebeği 240cc

END140105-7



Shut Off Valve 240cc
Pençe Takozu 240cc

END140105-8



Claw Gasket 240cc
Pençe Contası 240cc

END140105-9



Bottom Body of Claw 240cc
Oval Pençe Altı (Gövde) 240cc

END140105-1



Bottom Body of Claw 240cc
Oval Pençe Altı 240cc

END140105-2



Air Distributor of Claw 240cc
Süt Pençesi Hava Dağıtıcısı 240cc

END140105-3



Milk Claw Molder 240cc
Pençe Askısı 240cc

END140105-10



Milk Claw Nut 240cc
Pençe Kapak Somunu 240cc

END140105-11



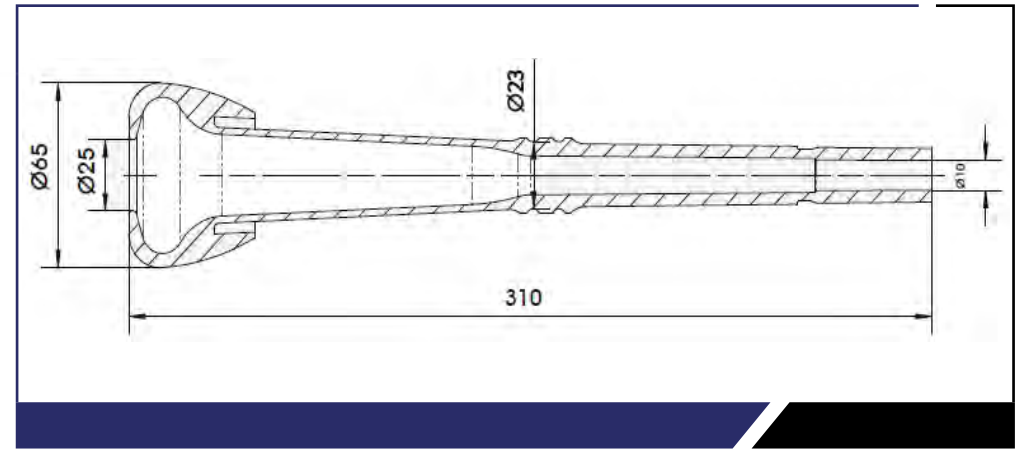
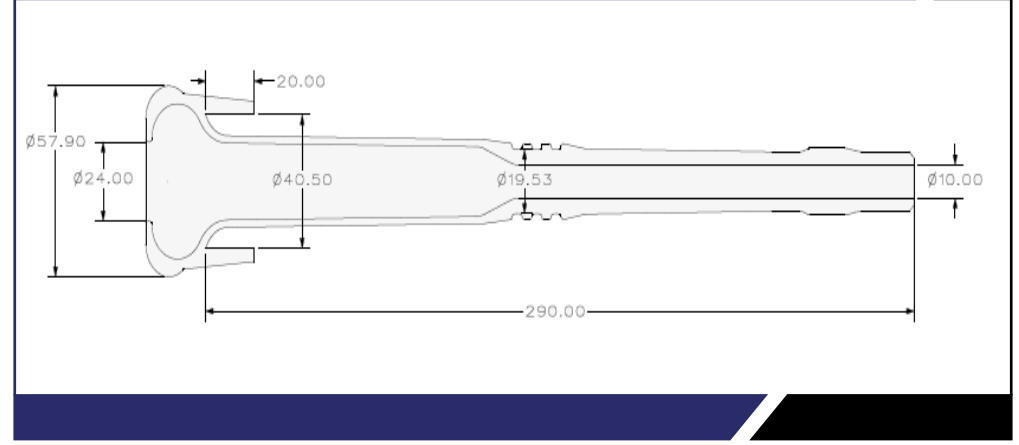
Milk Claw Molder 240cc
Pençe Çıkarıcı Askısı 240cc

END140105-12



Milk Claw Lower Part
Gasket 240cc
Pençe Kapağı Alt Contası
240cc

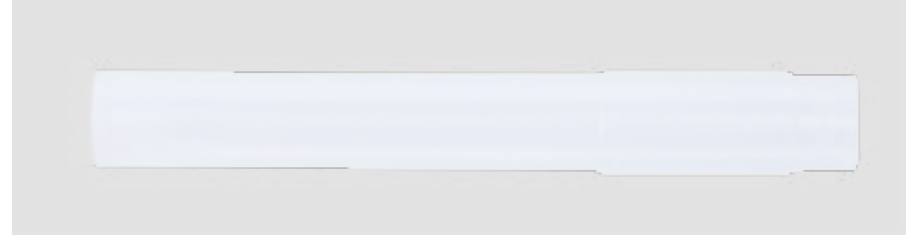
END140105-13





Short Milk Tube (Rubber) / Kısa Süt Hortumu (Kauçuk)

END210102



Short Milk Tube (Silicone) / Kısa Süt Hortumu (Silikon)

END210102-1



Long Milk Tube (Rubber) / Uzun Süt Hortumu (Kauçuk)
Long Milk Tube (Silicone) / Uzun Süt Hortumu (Silikon)

END210101
END210101-1



Short Vacuum Tube (Rubber) / Kısa Hava Hortumu (Kauçuk)
Short Vacuum Tube (Silicone) / Kısa Hava Hortumu (Silikon)

END210103
END210103-1



| Ref. | Inside Ø | Outside Ø | Color | | |
|--------|-------------|--------------|-------------|-------|------|
| | | | Transparent | Black | Blue |
| 3272 | 14 | 22 | ● | | |
| 3272-2 | 14 | 22 | | ● | |
| 3272-3 | 14 | 22 | | | ● |
| 3434 | 14 | 24 | ● | | |
| 3434-2 | 14 | 24 | | ● | |
| 3434-3 | 14 | 24 | | | ● |
| 3442 | 16 | 25 | ● | | |
| 3443 | 16 | 32 | ● | | |

Single Milk Hose / Tekli Süt Hortumu 14x24

END210104



| Ref. | Inside Ø | Outside Ø | Color | | |
|--------|-------------|--------------|-------------|-------|------|
| | | | Transparent | Black | Blue |
| 3444 | 7 | 14 | ● | | |
| 3444-2 | 7 | 14 | | ● | |
| 3444-3 | 7 | 14 | | | ● |

Single Milk Hose / Tekli Süt Hortumu 16x26

END210104 -1



Cow Milking Clusters 240cc
Rubber Liners & Inox Shell

END140101-2

Cow Milking Clusters 160cc
Rubber Liners & Inox Shell

END140100-2

Cow Milking Clusters (Inox Shells)
İnek Sağım Demetleri (Paslanmaz Kılıf)



Cow Milking Clusters 240cc Silicone
Liners & Transparent Plastic Shell

END140101

Cow Milking Clusters 160cc Rubber
Liners & Plastic Shell

END140100-1

Cow Milking Clusters (Plastic Shells)
İnek Sağım Demetleri (Plastik Kılıf)



Sheep Milking Clusters
(Rubber) with Pim

END150103-1

Goat Milking Clusters
(Rubber) with Pim

END150101-1

Sheep & Goat Milking Clusters (Rubber)
Koyun & Keçi Sağım Demetleri (Silikon) (Kauçuk)



Sheep Milking Clusters
(Silicone) with Pim

END150103

Goat Milking Clusters
(Silicone) with Pim

END150101

Goat Milking Clusters (Silicone)
Koyun & Keçi Sağım Demetleri (Silikon) (Silikon)



END130108-1
PP Shell Bold Blue
Meme Lastiği
Kılıfı Koyu Mavi



END130108-2
PP Shell Bold Green
Meme Lastiği Kılıfı
Koyu Yeşil



END130108-3
PP Shell Bold Red
Meme Lastiği Kılıfı
Koyu Kırmızı



END130108-4
PP Shell Bold Yellow
Meme Lastiği Kılıfı
Koyu Sarı



END130112-1
PP Shell Pure
Transparent
Meme Lastiği Kılıfı
Saf Seffaf



END130112-3
PP Shell Yellow
Transparent
Meme Lastiği
Kılıfı Sarı Seffaf



END130112-2
PP Shell Transparent
Meme Lastiği Kılıfı
Seffaf



END130109
Teatcup Shell (INOX)
1,5mm Thickness
Paslanmaz Meme Lastiği
Kılıfı (Tam Tip) 1,5mm
Kalınlık

END130109-1
Teatcup Shell (INOX)
2mm Thickness
Paslanmaz Meme Lastiği
Kılıfı (Tam Tip) 2mm
Kalınlık



END130112-4
PP Shell Brown
Transparent
Meme Lastiği Kılıfı
Kahve Seffaf



END130112-6
PP Shell Green
Transparent
Meme Lastiği Kılıfı
Yeşil Seffaf



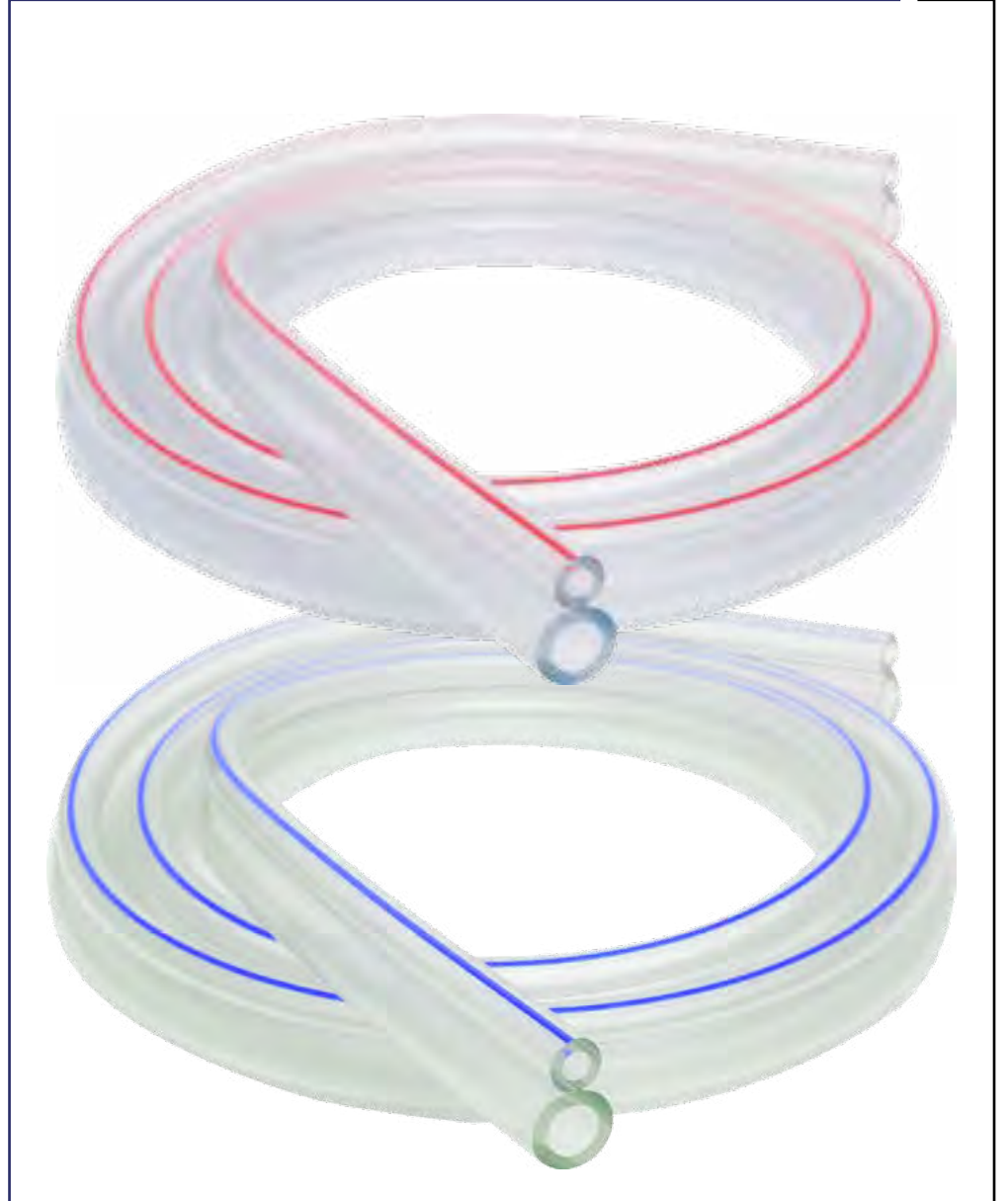
END130112-5
PP Shell Orange
Transparent
Meme Lastiği Kılıfı
Portakal Seffaf



| Ref. | Inside Ø | Outside Ø | Color | | |
|--------|----------|-----------|-------------|-------|------|
| | | | Transparent | Black | Blue |
| 3271 | 7 | 14 | ● | | |
| 3271-2 | 7 | 14 | | ● | |
| 3271-3 | 7 | 14 | | | ● |

Pulse Hose (Transparent) / Nabız Hortumu (Şeffaf)
Pulse Hose (Black) / Nabız Hortumu (Siyah)



END210104-4



| 1 x Milk | | 1 x Pulse | | Color Transparent |
|----------|-----------|-----------|-----------|----------------------|
| Inside Ø | Outside Ø | Inside Ø | Outside Ø | |
| 14 | 22 | 7 | 14 | ○ |

Milk and Pulse Hose for Sheep and Goats / Koyun ve Keçi için Süt ve Nabız Hortumu

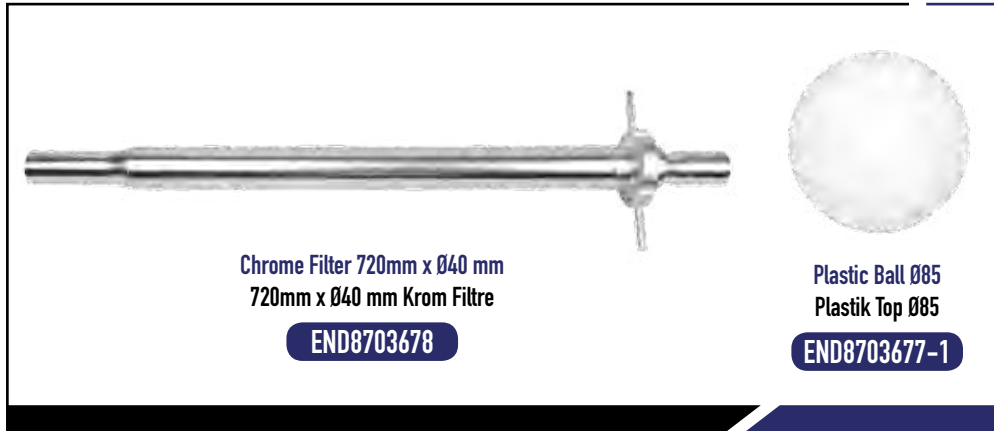
END210104-4


| Ref. | Inside Ø | Outside Ø | Color |
|------|----------|-----------|-------|
| 3273 | 14 | 22 | ● |

Triple Milk Hose / 3'lü Süt Hortumu

END210104-3



Milk Transfer Set 50lt
Süt Aktarma Grubu 50lt

END8703585-20

Milk Transfer Set 60lt
Süt Aktarma Grubu 60lt

END8703585-10

Milk Transfer Set 100lt
Süt Aktarma Grubu 100lt

END8703585-30







| VACUUM PUMPS WITH ENGINE / MOTORLU VAKUM POMPALARI | | | |
|--|-----------|------|------------------------|
| | CAPACITY | TYPE | ENGINE |
| END8776766 | 200 L/min | Dry | 0.55 KW-220 V-1450 rpm |
| END8776766-1 | 200 L/min | Oil | 0.55 KW-220 V-1450 rpm |
| END8786767 | 240 L/min | Dry | 0.75 KW-220 V-1450 rpm |
| END8786767-1 | 240 L/min | Oil | 0.75 KW-220 V-1450 rpm |



| VACUUM PUMPS WITH ENGINE / MOTORLU VAKUM POMPALARI | | | |
|--|-----------|------|------------------------|
| | CAPACITY | TYPE | ENGINE |
| END9776766 | 200 L/min | Dry | 0.55 KW-220 V-1450 rpm |
| END9776766-1 | 200 L/min | Oil | 0.55 KW-220 V-1450 rpm |
| END9786767 | 240 L/min | Dry | 0.75 KW-220 V-1450 rpm |
| END9786767-1 | 240 L/min | Oil | 0.75 KW-220 V-1450 rpm |



Graphite Pellets (for Dry Pump)
Grafit Peletler (Kuru Pompa için)

| | SIZE (mm) |
|-----------|----------------|
| END410115 | 4.90 x 43 x 70 |
| END410116 | 4.90 x 43 x 75 |
| END410117 | 4.90 x 40 x 65 |
| END410118 | 4.90 x 41 x 70 |
| END410119 | 4.90 x 41 x 85 |
| END410120 | 4.90 x 43 x 80 |
| END410121 | 6.00 x 46 x 70 |



Fiber Pellets (for Oily Pump)
Fiber Peletler (Yağlı Pompa için)

| | SIZE (mm) |
|-----------|----------------|
| END510115 | 4.90 x 43 x 70 |
| END510116 | 4.90 x 40 x 65 |
| END510117 | 4.90 x 41 x 70 |
| END510118 | 4.90 x 41 x 85 |
| END510119 | 6.00 x 46 x 70 |
| END510120 | 4.90 x 43 x 75 |
| END510121 | 4.90 x 43 x 80 |



END430105-1

Servo Regulator (for Big Pumps)
Servo Regulator (Büyük Pompalar için)



END510107

Chassis Top Plug Ø73
Şase Üst Tapası Ø73



END430105

Vacuum Regulator 3/4
(MMU3)

Vakum Regulatorü 3/4
(MMU3)



Pump On Tank 34 L. with Motor

Vacuum Pump / Vakum Pompası 450 Capacity Oil Type -
Vacuum Tank / Vakum Tankı 1.200rpm 55 lt.
Electric Engine / Elektrik Motoru 1,55 kW 2 hp 220V/50hz
Milking Capacity / Sağım Kapasitesi 4-6 Milking Capacity, 60 Cows/Hour
Additional Parts / İlave Parçalar Servo Regulator & Ø100 Vacuum Meter



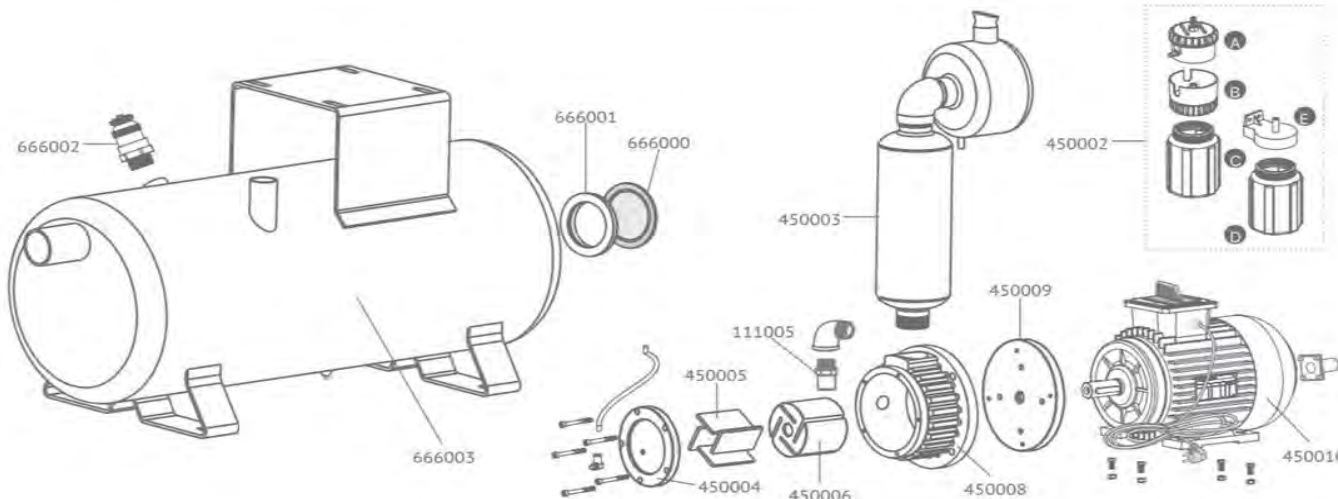
END9103645-4

ily 450 - Pump with Silencer Oil Container & Pulley

Monofaze Rotari Vakum Pompaları • Monophase Rotary Vane Vacuum Pumps

| Ref. | Model | RPM | HP | KW | Volt | Hz | Capacity @50 kPa Lt./min | Type |
|--------|---------|------|----|------|------|----|--------------------------|------|
| 450000 | GPV 450 | 1400 | 2 | 1,55 | 220 | 50 | 450 Lt. | OIL |
| 450001 | PV 450 | 1400 | 2 | 1,55 | 220 | 50 | 450 Lt. | OIL |

Note : This item is available in 110 v 60 hz





Pump On Tank 34 L. with Motor



Vacuum Pump / Vakum Pompası 750 Capacity Oil Type - 1.200rpm
 Vacuum Tank / Vakum Tankı 55 lt.
 Electric Engine / Elektrik Motoru 1.50 kW 3 hp 220V/50Hz
 Milking Capacity / Sağım Kapasitesi 6-8 Milking Capacity, 80 Cows/Hour
 Additional Parts / İlave Parçalar Servo Regulator & Ø100 Vacuum Meter



Fiber Palet 4,90 * 41,50 * 100 mm

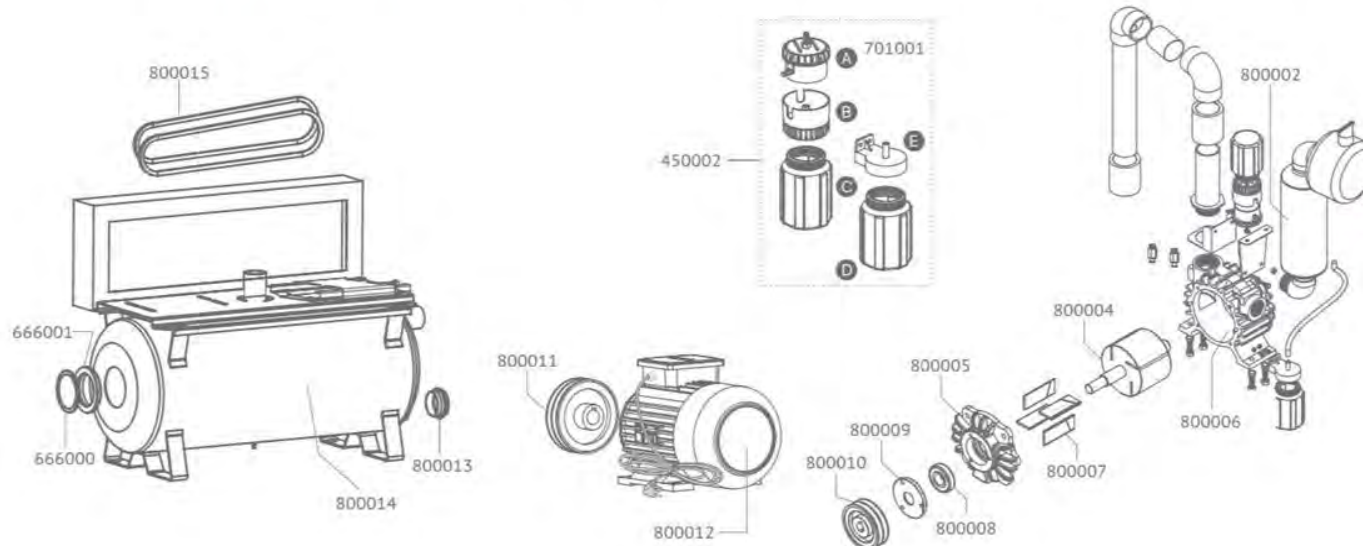


END9103655-4

Only 750 - Pump with Silencer Oil Container & Pulley

Rotari Vakum Pompaları • Rotary Vane Vacuum Pumps

| Ref. | Model | RPM | HP | KW | Volt | Hz | Capacity @50 kPa Lt./min | Vacuum Tank Capacity |
|--------|---------|------|----|------|------|----|--------------------------|----------------------|
| 800000 | GPV 750 | 1200 | 3 | 1,50 | 220 | 50 | 750 Lt. | 55 lt. |
| 800001 | PV 750 | 1200 | 3 | 1,50 | 220 | 50 | 750 Lt. | - |





END9103609-4

Only 1000/1.100 - Pump with Silencer Oil Container & Pulley

Vacuum Pump / Vakum Pompası 1000 Capacity Oil Type - 1.200rpm
 Vacuum Tank / Vakum Tankı 65 lt.
 Electric Engine / Elektrik Motoru 2,2 kW 4 hP 220V/50Hz
 Milking Capacity / Sağıım Kapasitesi 10-12 Milking Capacity, 100 Cows/Hour
 Additional Parts / İlave Parçalar Servo Regulator & Ø100 Vacuum Meter



Fiber Palet 4,90 * 41,50 * 100 mm



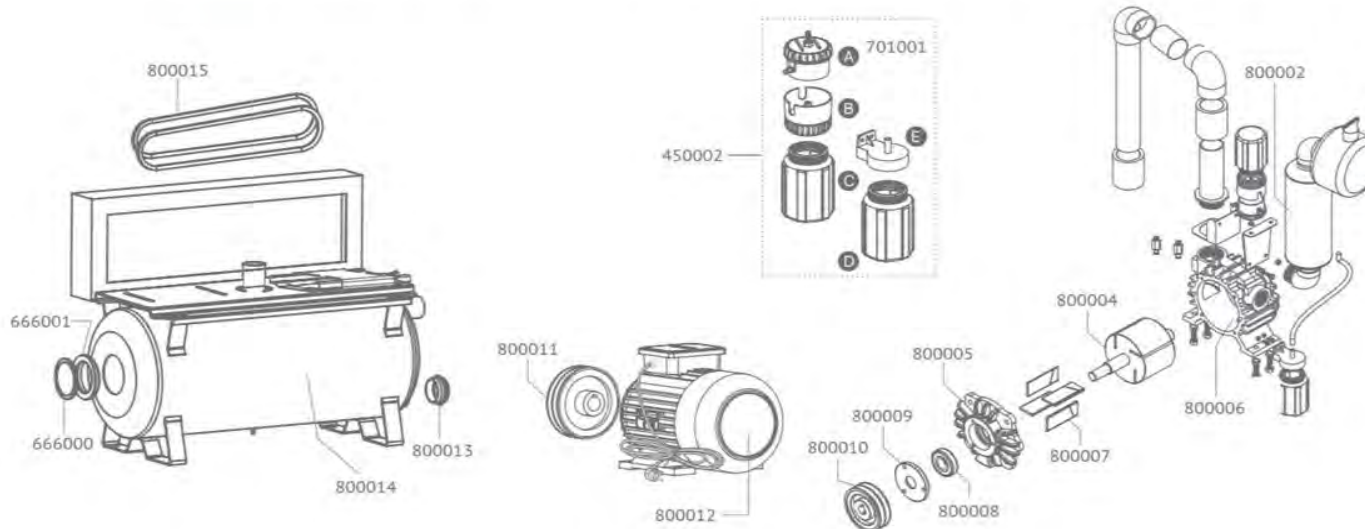
END9103609

Pump On Tank 34 L. with Motor

FREE

Rotari Vakum Pompaları • Rotary Vane Vacuum Pumps

| Ref. | Model | RPM | HP | KW | Volt | Hz | Capacity @50 kPa Lt./min | Vacuum Tank Capacity |
|--------|----------|------|----|------|------|----|--------------------------|----------------------|
| 100000 | GPV 1000 | 1200 | 4 | 2,20 | 220 | 50 | 1000 Lt. | 65 lt. |
| 100001 | PV 1000 | 1200 | 4 | 2,20 | 220 | 50 | 1000 Lt. | - |





Pump On Tank 34 L. with Motor

Vacuum Pump / Vakum Pompası 1500 Capacity Oil Type - 1.300rpm
 Vacuum Tank / Vakum Tankı 85 lt.
 Electric Engine / Elektrik Motoru 3,0 kW 5.5 hP 380V/50Hz
 Milking Capacity / Sağıım Kapasitesi 14-20 Milking Capacity, 100 Cows/Hour
 Additional Parts / İlave Parçalar Servo Regulator & Ø100 Vacuum Meter



Fiber Palet 4,90 * 41,50 * 150 mm

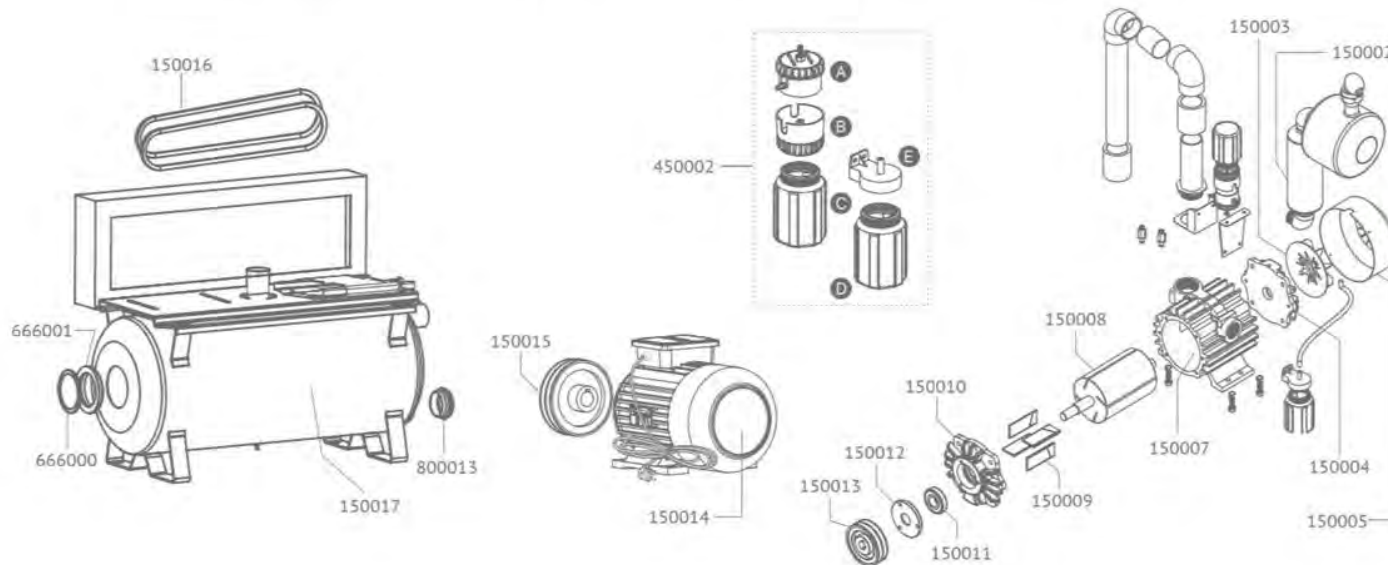


END9103634-4

Only 1500 - Pump with Silencer Oil Container & Pulley

Rotari Vakum Pompaları • Rotary Vane Vacuum Pumps

| Ref. | Model | RPM | HP | KW | Volt | Hz | Capacity @50 kPa Lt./min | Vacuum Tank Capacity |
|--------|----------|------|-----|------|------|----|--------------------------|----------------------|
| 150000 | GPV 1500 | 1300 | 5.5 | 3,00 | 380 | 50 | 1500 Lt. | 85 lt. |
| 150001 | PV 1500 | 1300 | 5.5 | 3,00 | 380 | 50 | 1500 Lt. | - |





END9103635-4

Only 2000 - Pump with Silencer
Oil Container & Pulley

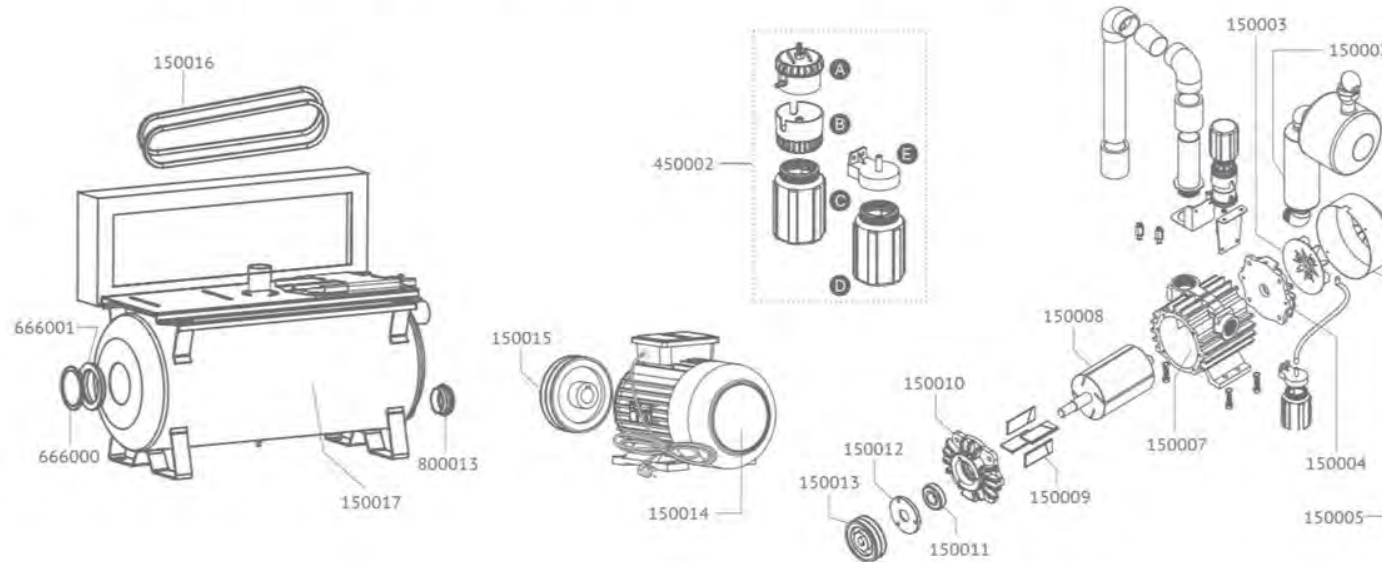
Vacuum Pump / Vakum Pompası 2000 Capacity Oil Type - 1.350rpm
Vacuum Tank / Vakum Tankı 85 lt.
Electric Engine / Elektrik Motoru 4 kW 7,5 hP 380V/50Hz
Milking Capacity / Sağım Kapasitesi 20-30 Milking Capacity, 150 Cows/Hour
Additional Parts / İlave Parçalar Servo Regulator & Ø100 Vacuum Meter

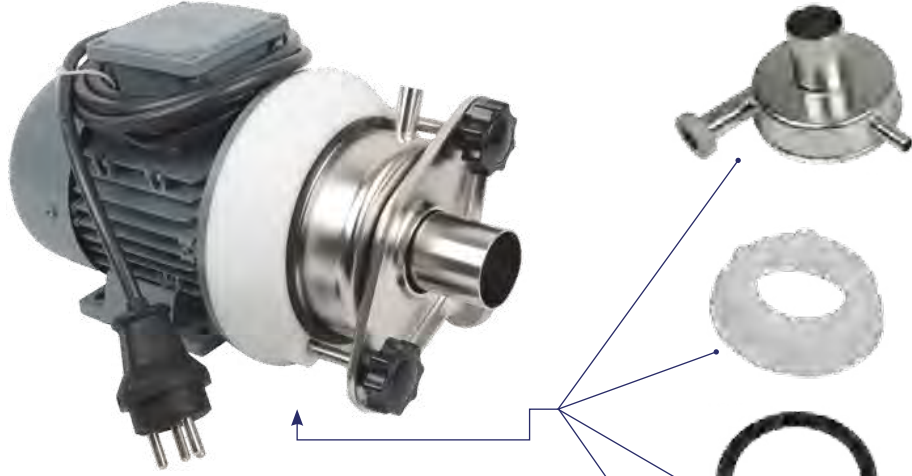


Pump On Tank 34 L. with Motor

Rotari Vakum Pompaları • Rotary Vane Vacuum Pumps

| Ref. | Model | RPM | HP | KW | Volt | Hz | Capacity @50 kPa Lt./min | Vacuum Tank Capacity |
|--------|----------|------|-----|------|------|----|--------------------------|----------------------|
| 200000 | GPV 2000 | 1350 | 7.5 | 4,00 | 380 | 50 | 2000 Lt. | 85 lt. |
| 200001 | PV 2000 | 1350 | 7.5 | 4,00 | 380 | 50 | 2000 Lt. | - |





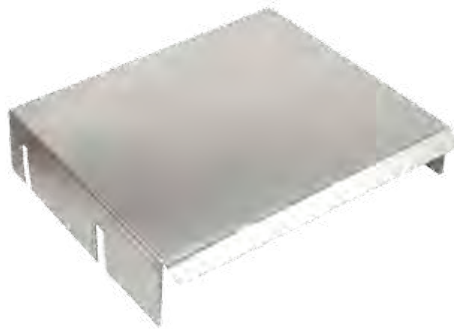
Parlour Milk Transfer Pump (10 Ton / Hours)
Sağımhane Süt Aktarma Pompası (10 Ton / Saat)

- END8703585 1.1kW Monophase
- END8703585-1 1.1kW Triphase
- END8703585-2 0.75kW Monophase
- END8703585-3 0.75kW Triphase



Milking Transfer Pump Wall Holder (Set)
Süt Aktarma Pompası Duvar Bağlantı Ayağı (Takım)

END8703585-8



Cover for Milk Transfer Pump
Süt Aktarma Pompası Muhafaza Kapağı

END8703585-9



Outlet for Milk Transfer Pump S/S Ø38mm
Süt Aktarma Pompası Çıkış Dirseği Ø38mm

END8703585-6



Outlet for Milk Transfer Pump S/S Ø38mm
Süt Aktarma Pompası Çıkış Dirseği Ø38mm

END8703585-7



Outlet for Milk Transfer Pump S/S Ø38mm
Süt Aktarma Pompası Çıkış Dirseği Ø38mm

END8703585-14



Outlet for Milk Transfer Pump S/S Ø38mm
Süt Aktarma Pompası Çıkış Dirseği Ø38mm

END8703585-15



Non Return Valve Ø32
Dilli Klape Ø32

END8703659-1



Level Control Panel
Seviye Tespit Panosu

- END8703684-1 1.1kW Monophase
- END8703684-2 1.1kW Triphase
- END8703684-3 0.75kW Monophase
- END8703684-4 0.75kW Triphase



Magnetic Float
Manyetik Şamandıra

END8703685



Floatpipe Retaining Rubber
Şamandıra Sabitleme Kauçuğu

END8703685-1



Vacuum & Milk Transfer Pump Control Panel
Vakum ve Süt Aktarma Pompası Kontrol Panosu

| | | VACUUM PUMPS / VAKUM POMPALARI | | | | PRODUCT CODE ÜRÜN KODU |
|--------------------|----------------------|--------------------------------|-------|--------|--------|---------------------------|
| | | 2.2 kW | 3 kW | 5.5 kW | 7.5 kW | |
| MILK TRANSFER PUMP | Mono Phase 1.1 kW | M1122 | M1130 | M1155 | M1175 | END8703684-1 |
| | Theree Phase 1.1 Kw | T1122 | T1130 | T1155 | T1175 | END8703684-2 |
| | Mono Phase 0.75 kW | M7522 | M7530 | M7555 | M7575 | END8703684-3 |
| | Theree Phase 0.75 kW | T7522 | T7530 | T7555 | T7575 | END8703684-4 |



Vacuummeter - Ø63 - Black
Vakum Saati - Ø63 - Siyah

END430107



Vacuummeter - Ø100 - Black
Vakum Saati - Ø100 - Siyah

END430107-1



Lubricator 0,5 Lt
Yađdanlık 0,5 Lt

END430109



Waste Oil Tank
Yađdanlık Atık Kabı

END430109-1



Lubricator Gasket
Yađdanlık Contası

END440111-1



Lubricator 1 Lt
Yađdanlık 1 Lt

END430110



Big Wheel Ø300 mm (Red)
Büyük Teker Ø300 mm (Kırmızı)

END8903543



Big Wheel Ø250 mm (Red)
Büyük Teker Ø250 mm (Kırmızı)

END8903543-1



Big Wheel Ø300 mm (Black)
Büyük Teker Ø300 mm (Siyah)

END8903544



Big Wheel Ø250 mm (Black)
Büyük Teker Ø250 mm (Siyah)

END8903544-1



Wheel with Brake Ø100 mm
Frenli Ön Teker Ø100 mm

END8903545



| | END9503215 | EN 9503215-1 |
|--------|------------|--------------|
| Length | 275 mm | 330 mm |
| Width | 245 mm | 255 mm |
| Height | 150 mm | 163 mm |
| Weight | 7.100 kg | 1.800 kg |
| Color | Copper | Green |



Water Bowl (Casting)
Otomatik Suluk (Döküm)

END9503215



Water Bowl 5Lt (S/S)
Suluk-(Otomatik Yalak Paslanmaz-5Lt.)

END9503680



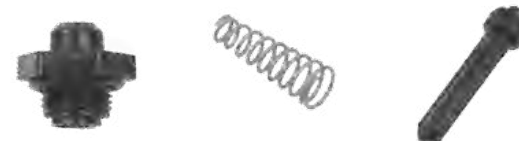
Water Bowl 2,5lt (Plastic with Float)
Plastik Suluk 2,5lt (Plastik - Şamandıralı)

END9503215-4



Water Bowl Valve (Brass)
Otomatik Suluk Subabı (Piring)

END9503431



Water Bowl Valve (Plastic)
Otomatik Suluk Subabı (Plastik)

END9503430



Mini Valve (½" x Ø16)
Mini Vana (½" x Ø16)

END510111



Mini Valve (Ø16 x Ø16)
Mini Vana (Ø16 x Ø16)

END510111-2



Cluster Washer Set
Sistem Yıkama Takımı

END8107033



Foldable Cluster System Washing Tray
Katlanabilir Sistem Yıkama Tablası

END8107039



Exhaust (Silencer) Dry
Egzoz (Susturucu) Kuru

END710103

Exhaust (Silencer) Oily
Egzoz (Susturucu) Yağlı

END710105



Cluster Washer Set
Sistem Yıkama Takımı

END8107033-1



Foldable Cluster System Washing Tray
Katlanabilir Sistem Yıkama Tablası

END8107039-1



Tube Clip (S-Type)
Hortum Kelepçesi (S Tipi)

END510108



Tube Clip (U-Type)
Hortum Kelepçesi (U Tipi)

END510108-1



Tube Clip
Hortum Kelepçesi

END510108-2



Milk Stopper (Metal Cage)
Süt Stop (Metal Hazneli)

END510122-1



Milk Stopper (Plastic Cage)
Süt Stop (Plastik Hazneli)

END510122



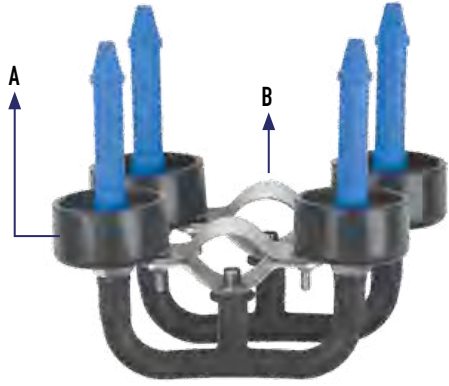
End Cap for Cluster Washer Pipe
Sistem Yıkama Takımı Boru Tapası

END8103322



E-Tube of Cluster Washer (Small)
Sistem Yıkama E - Hortumu (Küçük)

END8103319



Cluster Washer Set
Sistem Yıkama Takımı

END8103345



Cluster Washer Set
Sistem Yıkama Takımı

END8103346



Cluster Washer Part
Yıkama Başlığı Aparat

END8103346-1



Washer Stick
Sistem Yıkama Başlığı Çubuğu

END8103346-2



Washer Nut
Sistem Yıkama Başlığı Somunu

END8103346-3

Pençe Kapağı (Şeffaf)
Claw Bottom Bowl (Transparent)

END140106-1



Collar of Washer Body (S/S)
Sistem Yıkama Kelepçesi-Paslanmaz

Ø40 MM END8103346-4

Ø50 MM END8103346-5



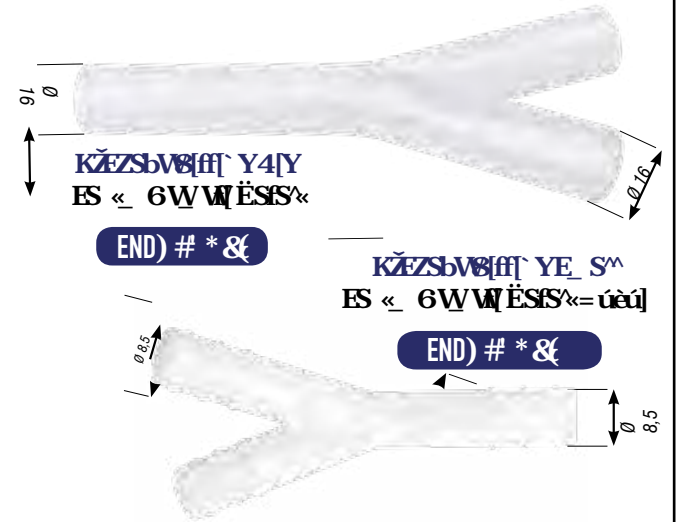
E-Tube of Cluster Washer
Sistem Yıkama E-Hortumu

END8103346-6



Rubber Cup of Cluster Washer
Sistem Yıkama Başlığı

END8103346-7



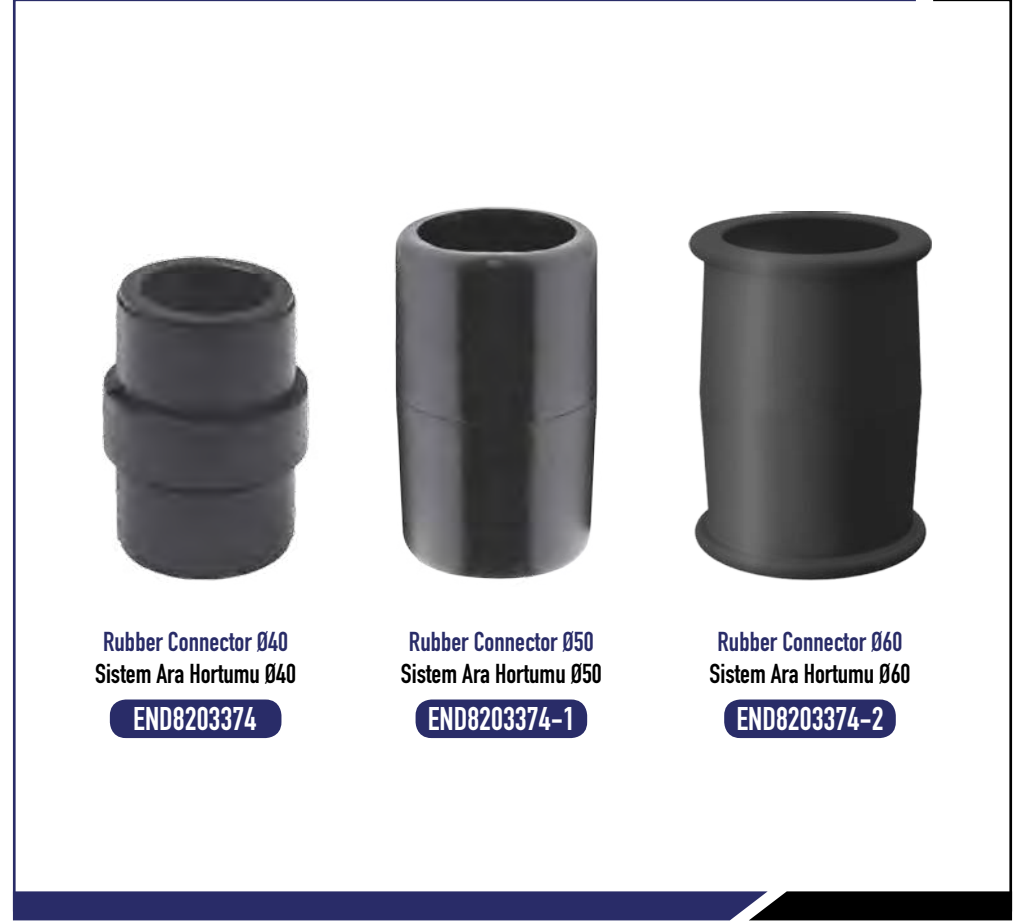
Plastic Sprayer 4 Ways
Dörtlü Dağıtıcı

END8103346-8



Washer Stick
Sistem Yıkama Çubuğu

END8103346-9





Rubber Stopper with Inox Exit (Ø50 X 16)
Paslanmaz Çıkışlı Kauçuk Durdurucu (Ø50 X 16)

END8403664



Rubber Stopper with Inox Exit (Ø38 X 16)
Paslanmaz Çıkışlı Kauçuk Durdurucu (Ø38 X 16)

END8403663



S/S Milk Inlet with Hose Clamp Ø50
(Ø50-52 mm 16x18 mm)
Paslanmaz Düz Hortum Kelepečeli Süt Girişi
(Ø50-52 mm 16x18 mm)

END8503675



Endcap for Pipeline Ø52
Sistem Kör Tapası Ø52

END8403377



Endcap for Pipeline Ø54
Sistem Kör Tapası Ø54

END8403429



S/S Milk Inlet
(Ø50-52 mm 16x18 mm)
Paslanmaz Düz Süt Girişi
(Ø50-52 mm 16x18 mm)

END8503674



Rubber Stopper of Receiving Ø60
Sistem Kör Tapası Ø60

END8403376



Endcap for Pipeline Ø38
Sistem Kör Tapası Ø38

END8403380



Rubber Connector Ø50
Sistem Ara Hortumu Ø 50

END8303326



Rubber Connector Ø38
Sistem Ara Hortumu Ø38

UMS8303326-1



Plastic Connector Ø51
Sistem Plastik Boru
Bağlantısı Ø51

END8303382



S/S Milk Inlet with Bend Inlet 180° (Ø50-Ø52 mm) (Vertical) Ø18 mm
Paslanmaz 180° Süt Girişi (Ø50-Ø52 mm) (Dikey) Ø18mm

END8503670

END8503676



S/S Milk Inlet with Bend Inlet 180° with Hose Clamp (Ø50-Ø60 mm) (Vertical) Ø18 mm
Paslanmaz 180° Hortum Kelepçeli Süt Girişi (Ø50-Ø60 mm) (Dikey) Ø18mm

END8503671



S/S Milk Inlet with Bend Inlet
90° (Ø50-Ø52 mm) (Vertical)
Ø18 mm

Paslanmaz 90° Süt Girişi
(Ø50-Ø52 mm) (Dikey) Ø18mm

END8503672



S/S Milk Inlet with Bend Inlet 90°
(Ø50-Ø52 mm) (Parallel) Ø18 mm
Paslanmaz 90° Süt Girişi (Ø50-Ø52 mm)
(Paralel) Ø18mm

END8503672



END8503676-1



S/S Milk Inlet with Bend Inlet 90°
with Hose Clamp
(Ø50-Ø60 mm) (Vertical) Ø18 mm
Paslanmaz 90° Hortum Kelepçeli
Süt Girişi (Ø50-Ø60 mm)
(Dikey) Ø18mm

END8503673



S/S Milk Inlet with Bend Inlet 90°
(Ø50-Ø60 mm) (Parallel) Ø18 mm
Paslanmaz 90° Süt Girişi
(Ø50-Ø60 mm) (Paralel) Ø18mm

END8503673-1



Gaslet for Milk Entry Ø18
Süt Giriş Contası-Ø18

END8503644



Hose Holder
Hortum Tutucu

END8603696-2



40 Lt Bucket Lid (with Skirt)
40 Lt Güğüm Kapağı (Etekli)

END310101



40 Lt Bucket Lid (Flat)
40 Lt Güğüm Kapağı (Düz)

END310101-1



30 Lt Bucket Lid (with Skirt-3G)
30 Lt Güğüm Kapağı (Etekli-3G)

END310105-1



30 Lt Bucket Lid (with Skirt -2G)
30 Lt Güğüm Kapağı (Etekli -2G)

END310104-1



30 Lt Bucket Lid (Flat-3G)
30 Lt Güğüm Kapağı (Düz-3G)

END310105



30 Lt Bucket Lid (Flat-2G)
30 Lt Güğüm Kapağı (Düz-2G)

END310104



Vacuum Tank Lid
Vakum Tank Kapağı

END440101



Vacuum Tank Lid Gasket
Vakum Tank Kapak Contası

END440101-1



Vacuum Tank Side Lid (Big Type-Transparent) Gasket
Vakum Tankı Yan Kapağı (Büyük-Şeffaf) Contası

END440101-2



Vacuum Tank Lid (Big-Transparent)
Vakum Tankı Kapağı (Büyük-Şeffaf)

END440101-3



Outer Gasket of Vacuum Tank
Vakum Tank Dış Contası

END8903547



Inner Gasket of Vacuum Tank
Vakum Tank İç Contası

END8903546



30 Lt. Bucket Lid (S/S)
30 lt. Güğüm Kapağı (Paslanmaz)

END330127



30 Lt. Bucket Lid (S/S)
30 lt. Güğüm Kapağı (Paslanmaz)

END330127-1



Bucket Transfer Lid Ø38 (S/S)
Güğüm Transfer Kapağı Ø38 (Paslanmaz)

END330104-2

4gU WF dS eba f > [VB'Sef[U(Black)
Güğüüm Taşıma Kapağı B'Sef]] (Siyah)



END320104

Bucket Transport Lid Rubber (Black)
Güğüüm Taşıma Kapağı Kauçuk (Siyah)



END320102

Rubber Handle
Elcik



END384552

Lid for Feed Crusher (Small)
Yem Kırma Kapağı--(Küçük)



END8903218



END410101

Gasket of 40 Lt Bucket Lid (with Skirt)
40 Lt Güğüüm Kapak Contası (Etekli)

END410103

Gasket of 30 Lt Bucket Lid (with Skirt)
30 Lt Güğüüm Kapak Contası (Etekli)

| A | B | C |
|-----|-----|-----|
| 215 | 184 | 234 |
| 175 | 150 | 198 |



END410103-1

Gasket of 30 Lt Bucket Lid (Flat)
30 Lt Güğüüm Kapak Contası (Düz)



END410101-1

Gasket of 40 Lt Bucket Lid (Flat)
40 Lt Güğüüm Kapak Contası (Düz)



END410101-2

Gasket of 40 Lt Bucket Lid (Flat)
40 Lt Güğüüm Kapak Contası (Düz)



TWO SIDE ROTATION
İKİ YÖN DÖNÜŞ

Automatic Swinging Cow Brush Machine 220V
Turkish Reducer and Engine
Otomatik Sallanan İnek Kaşıma Fırçası 220 V
Türk Redüktör ve Motorlu

END9503577



Bristle of Automatic Cow Brush (With any 3 Different Combinations)
Otomatik Kaşıma Fırça Kılı (İstene 3 Farklı Renk Kombinasyonlu)

END9503577-1





Cream Separator & Butter Churning Krema Seperatörü & Yayık Makinesi



**Butter Churning
Yayık Makinesi**



Propeller



Timer



Drain Pipe



Plastic Leg



Churning Machine
(Electrical) 10lt
Elektrikli Yayık Makinası 10lt

END885505-1

Churning Machine
(Electrical) 20lt
Elektrikli Yayık Makinası 20lt

END885505-2

Churning Machine
(Electrical) 30lt
Elektrikli Yayık Makinası 30lt

END885505-3

Churning Machine
(Electrical) 40lt
Elektrikli Yayık Makinası 40lt

END885505-4

Churning Machine
(Electrical) 50lt
Elektrikli Yayık Makinası 50lt

END885505-5

Churning Machine
(Electrical) 60lt
Elektrikli Yayık Makinası 60lt

END885505-6



**Electrical Cream Separator
Elektrikli Crema Seperatörü**

140 LT Electrical Cream
Separator Machine
140 LT Elektrikli Crema
Seperatör Makinesi

END995605-5 E



**Manual Cream
Separator
Krema Seperatör**

100 LT ASYA Manual
Cream Separator Machine
100 LT Manuel Crema
Seperatör Makinesi

END995505-3 M

140 LT ASYA Manual
Cream Separator Machine
140 LT Manuel Crema
Seperatör Makinesi

END995605-3 M



Tilting Drinker Galvanized (Wall Type)

- 80 lt **END8803990**
- 90 lt **END8803991**
- 120 lt **END8803992**
- 150lt **END8803993**
- 180lt **END8803994**
- 200lt **END8803995**



Plastic Animal Feeder for 10-15 Small Animals (Sheep / Goat)

END8804485



Travis Manual (Fixed) without Wheel

END7458541



Travis Manual (With Wheel)

END7458551



Travis (Fixed) Without Wheel

END7458561



Travis (With Wheel) With Wheel

END7458571



Calf Hutch
Buzağı Kulübesi

END9507080



Plastic Washing Trough (80 Lt-With Bracket)
Plastik Yıkama Havuzu (80 Lt-Ayaklı)

END8803780



Y Big Fork - for Hose Connection
(Milk Clive (Ø16xØ16xØ16))
Y Büyük Sağım Demeti Çatalı
Ø16xØ16xØ16

END715846



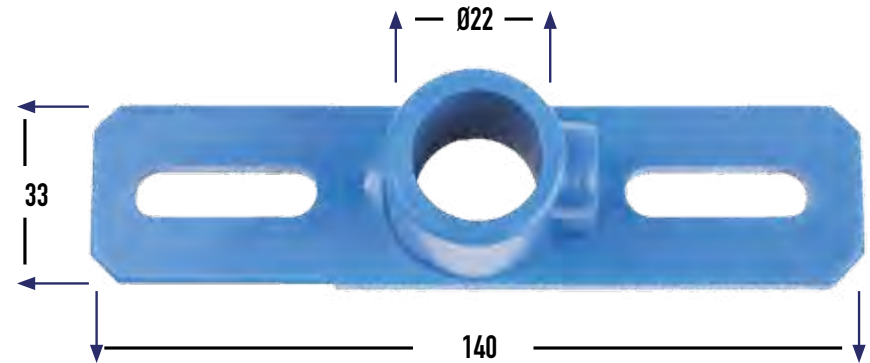
S/S Milk Meter (20 Lt.)
Paslanmaz Süt Ölçer-(20 Lt.)

END9503567



Y Small Fork - for Hose Connection
(Milk Clive (Ø8,5xØ8,5))
Y Küçük Sağım Demeti Çatalı
Ø8,5xØ8,5

END715847



Pipe Holder Bracket
Sistem Duvara Montaj Aparatı

END8303378



Calf Feeder (8 Lt)
Buzajı Emzikli Kova (8 Lt)
END710111



Lamb Buckets for 3 (8 Lt)
Küçükbaş Emzikli Kova 3'lü (8 Lt)
END710116



Back Metal Holder for Feeding
Kova Asma Aparatı (Metal)
END710116-1



Lamb Feeding Bucket Valve
Kova Emzik Vidası
END710113



Rubber Mat for Cows
(1.100mm x 1.900mm x 18mm)
END1545567



Plastic Mat for Goats & Sheep
(805mm x 605mm x 50mm)
END1545569

Plastic Mat for Goats & Sheep
(5200mm x 390mm x 55mm)
END1545568



GS1AK



GS1SK



240cc Claw Optional
240cc Pençe Opsiyonel



Plastic Liner Shell Optional
Plastik Memelik Kılıfı Opsiyonel



Silicone Liner Optional
Silikon Memelik Opsiyonel

Bucket Milking for Cows & Buffalos Güğüm Sağım Ünitesi (Büyükbaş)



| | |
|------------------|--|
| Bucket Güğüm | 30 Lt Stainless Steel 30 Lt Paslanmaz |
| Claw Pençe | 160 cc 160 cc |
| Liner Memelik | Rubber Kauçuk |



Feeding Bottle Complete (for Calf) (2,5 Lt)
Biberon Takım Buzağı (2,5 Lt)

END710101



Feeding Bottle Complete for Lamb (1 Lt)
Biberon Takım Kuzu (1 Lt)

END710102-3



2,5 Lt. Feeding Bottle Nipple
Black Rubber

Buzağı Emziği-Siyah Kauçuk

END710104

2,5 Lt. Feeding Bottle Nipple
Red Elastomere

Buzağı Emziği-Kırmızı - Elastomer

END710104-2



Feeding Bottle Complete 2,5lt without Nipple
Biberon Takım Buzağı 2,5lt (Emziksiz)

END710102-5



Feeding Bottle Nipple's Screw
Biberon Emziği Pasosu

END710104-6



Teat (Calf Feeder) for Bucket (Black)
Kova Emziği

END710112



Teat (Calf Feeder) for Bucket (Red)
Kova Emziği Kırmızı

END710112-2



Lamb Feeding Bucket Nipple for 3
Küçükbaş Kova Emziği (3'lü için)

END710118



Aluminum Conical Pail Bucket (10 Lt.)

Aluminyum Konik Kova (10 Lt.)

END9503573

DIP CUP -
RETURNABLE
Meme Daldırma Kabı

END710119



Aluminum Milk Meter (1/2 Lt.)
Aluminyum Keççe-(1/2 Lt.)

END9503682

Aluminum Milk Meter (1 Lt.)
Aluminyum Keççe-(1Lt.)

END9503681



Inox Milk Strainer
Paslanmaz Süt Süzme Eleği

END9503571



Aluminum Milk Strainer
Alüm.Süt Süzme
Eleği

END9503568



Milk Detector
Süt Dedektörü

END9503569



Mastitis Detector
Mastitis Dedektörü

END9503575



Anti Kick Bar
Tekmesavar

END9503320



Circular Hay Chopper
Machine
4HP 3Kw
3000 Rpm
220 Volt
50 Hz

END9503689



Square Hay Chopper
Machine
4HP 3Kw
3000 Rpm
220 Volt
50 Hz

END9503690



Fodder Crushing
4HP 3Kw 3000 Rpm
220 Volt
50 Hz

END9503576



END510126

Short Brush
Kısa Firça

END510125

Long Brush
Uzun Firça



END9503274

Cow Birth Car
İnek Doğum Arabası



FREE STALL FOR COW (EACH) 2,5mm
Thickness, Galvanized DKP Pipe

END2484508

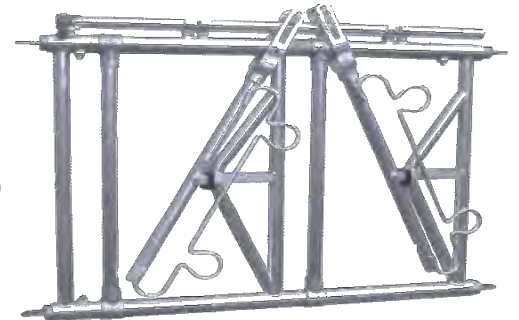


Head Locks for Cow (Each) (4mt - 4 Heads)
L: 105cm W: 320cm Ø: 50mm Sheet
Thickness: 3mm

END3224551

Head Locks for Cow (Each) (5mt - 5 Heads)
L: 105cm W: 400cm Ø: 50mm Sheet
Thickness: 3mm

END3224552





100lt

END5445560

With Piston + 50mt Hose and Spray Gun

200lt

END5445560

With Piston + 50mt Hose and Spray Gun

400lt

END5445562

With Piston + 50mt Hose and Spray Gun

END9507078

| | CHASSIS | BOX |
|-------------|---------|------|
| Length (cm) | : 130 | 87 |
| Width (cm) | : 60 | 62 |
| Height (cm) | : 88 | 30 |
| Weight (kg) | : 9,4 | 10,4 |

END9507078





END99776125

125lt

END99776200

200lt

END99776300

300lt

END99776500

500lt

END99771000

1.000lt

END99771500

1.500lt

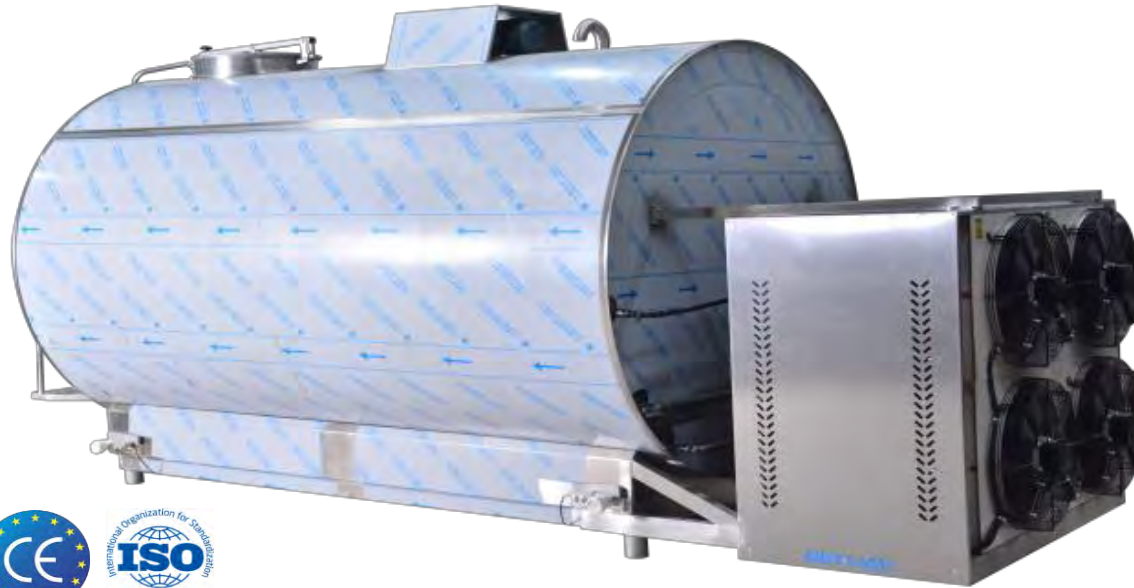
END99772000

2.000lt

Vertical Cylindrical & Open Type Cooling Tank

Dikey Silindirik Süt Soğutma Tankı

* automatic washing & digital scale are optional



END99773000

3.000lt

END99775000

5.000lt

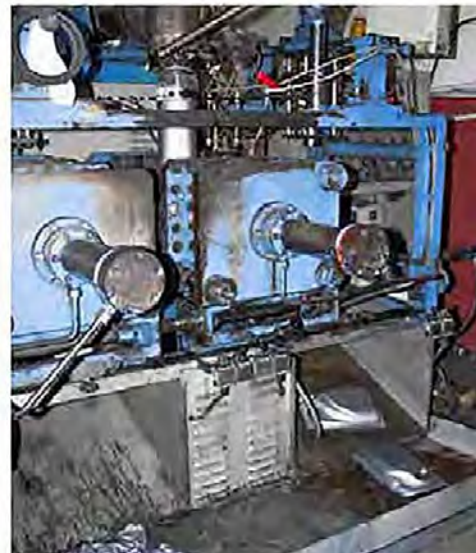
END99776000

6.000lt

Horizontal Cylindrical & Open Type Cooling Tank

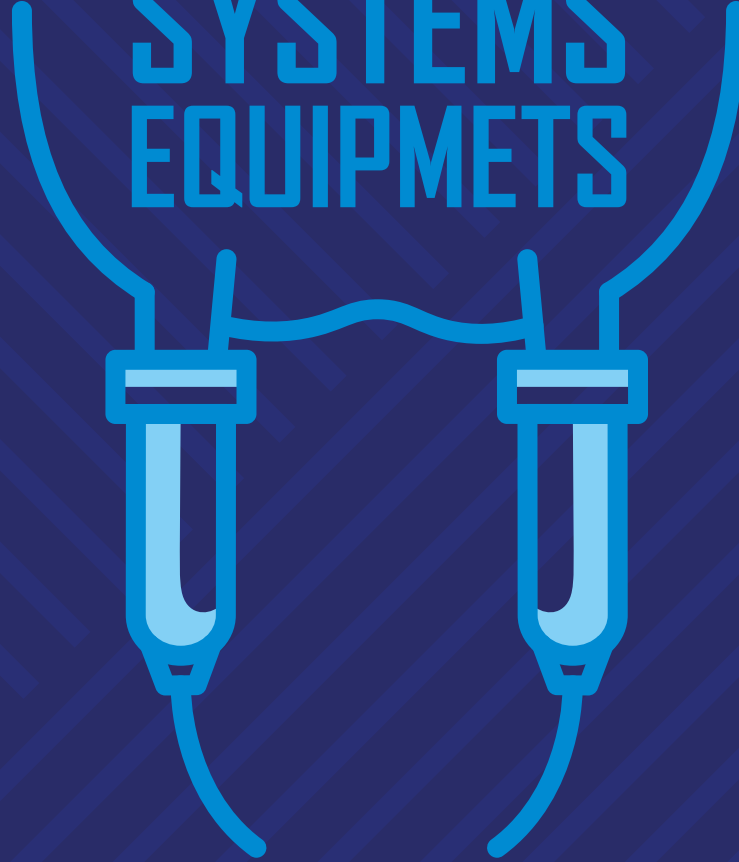
Yatay Silindirik Süt Soğutma Tankı

* automatic washing & digital scale are included



MILKING

SYSTEMS EQUIPMENTS



&



bir ENDERUN Markasıdır.
are Copyrighted Brands of Enderun

www.milkmach.com



milk mach

Produced by Enderun Milking Systems

Milk Mach Dış.Tic.Paz.A.Ş. & Enderun Sağım Sis.Tarım Mak.San.Tic.Ltd.Şti.

Minarelicavus Mah. Dokumculer San. Sit. No:20 Nilüfer-BURSA / TÜRKİYE

Office: +90 850 756 2193

Mobile(WhatsApp): +90 542 208 6714 (Export Manager)

Email: export@milkmach.com.tr / sales@milkmach.com.tr

www.milkmach.com